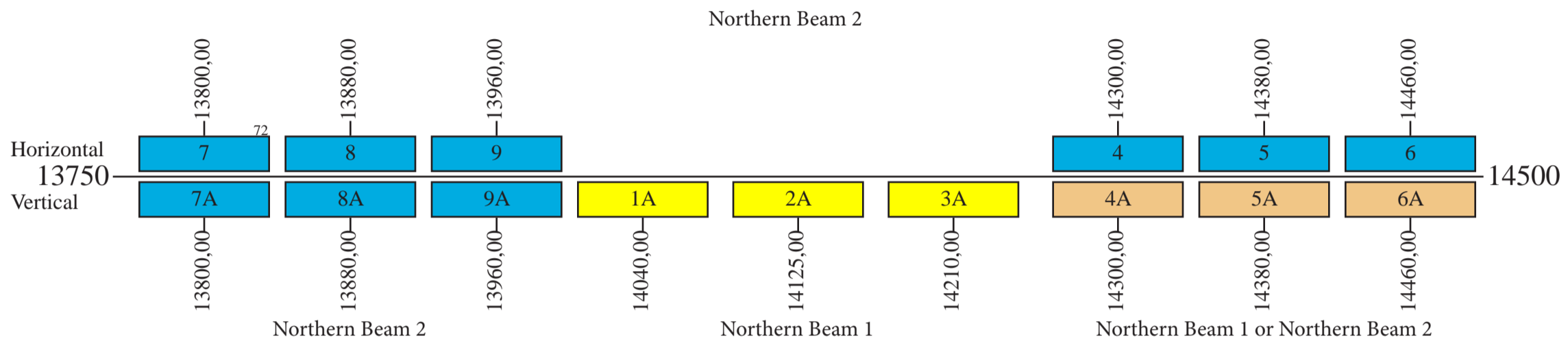
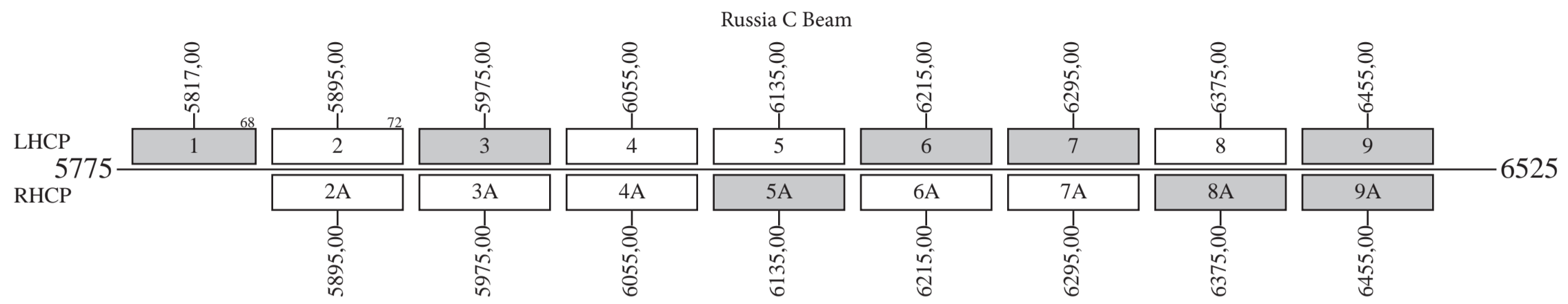


Yamal 300K

Frequency Plan

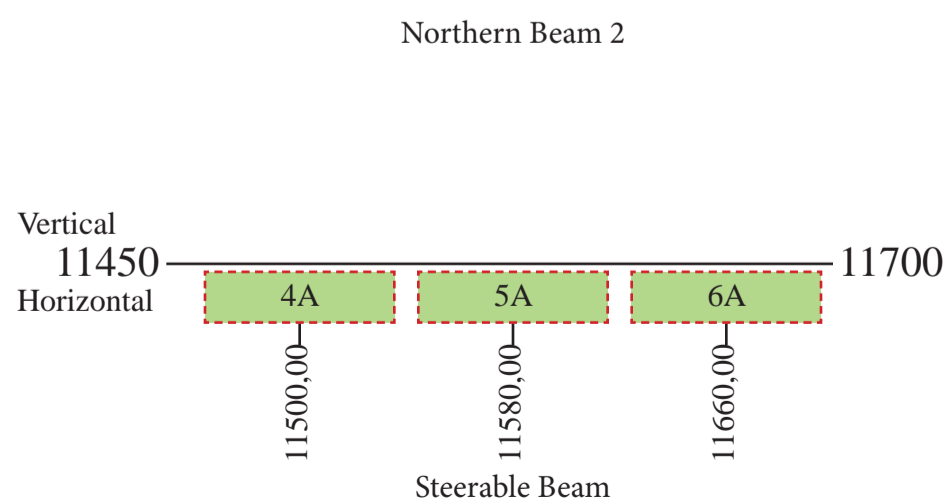
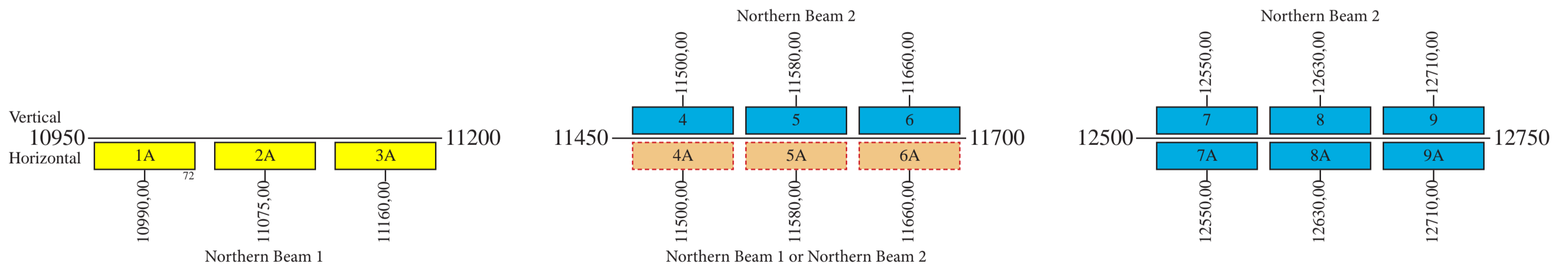
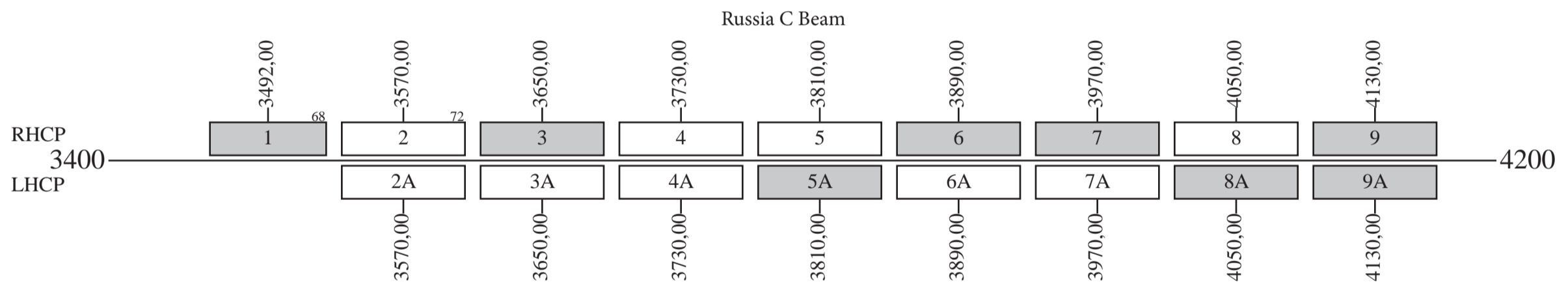
Uplink



Cross-Connection between Northern Beam 2 and Steerable Beam



Downlink



Beacon 1: 3780,00 H
Beacon 2: 11451,00 H
Beacon 3: 11459,50 R