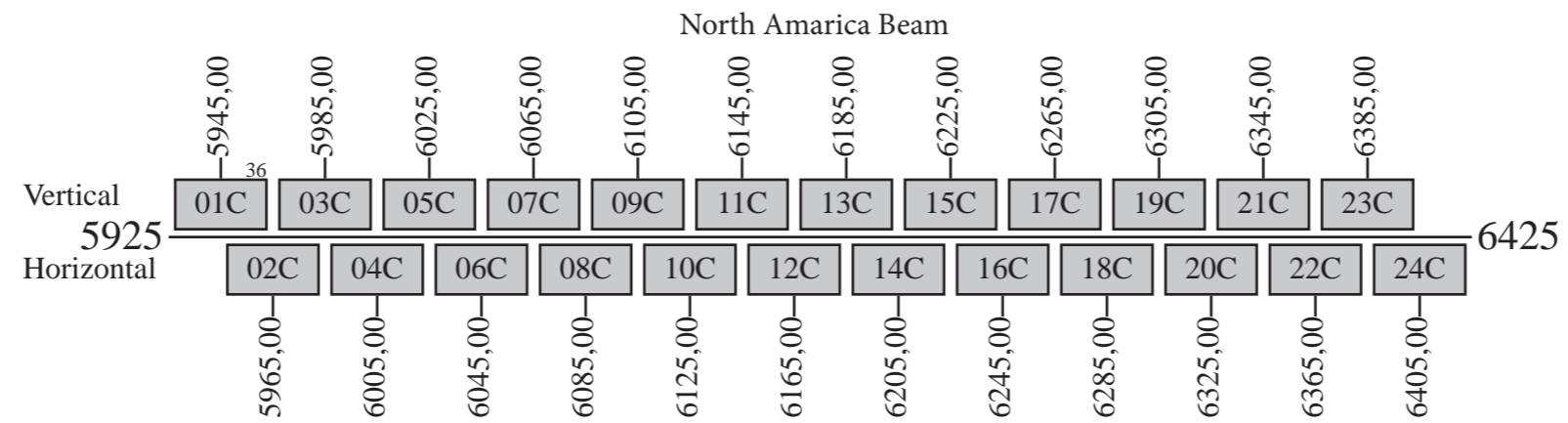


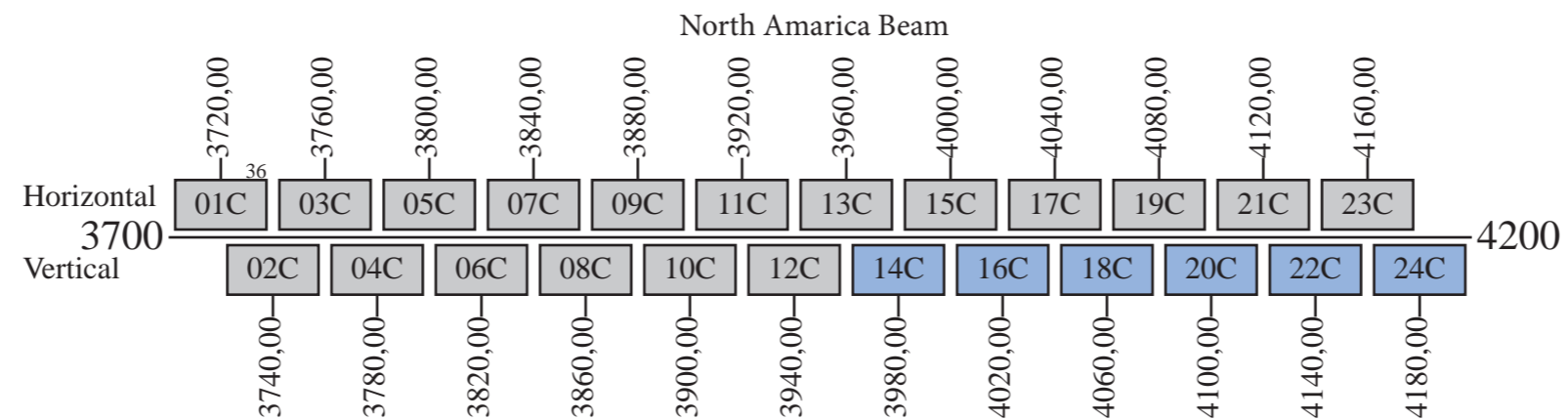
SES-2

Frequency Plan C-Band

Uplink



Downlink



Note: The transponders 14C to 24C are cross-connect from Ku-band uplink (tx 14K to 24K), switchable on channel by channel basis.

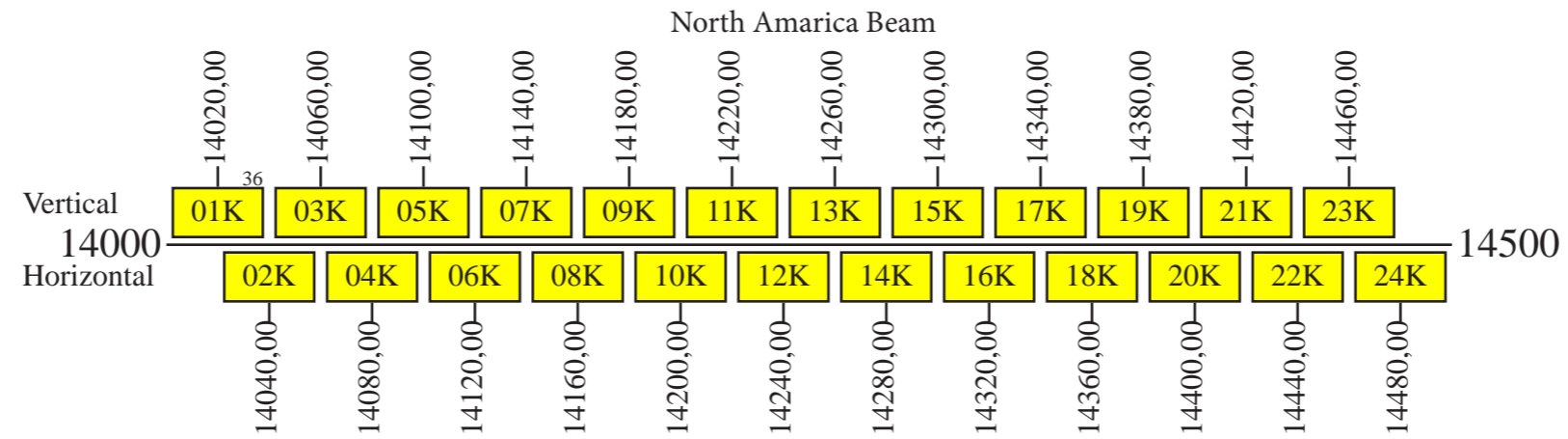
Command 1: 6423,50 V North America Beam
 Command 2: 14499,00 V North America Beam
 Beacon 1: 3700,50 V North America Beam
 Beacon 2: 4199,50 H North America Beam
 Beacon 3: 11701,00 V North America Beam
 Beacon 4: 12199,00 H North America Beam

Note: For emergency mode, TT&C reverts to circular pol; CMD=LHCP and TLM=RHCP

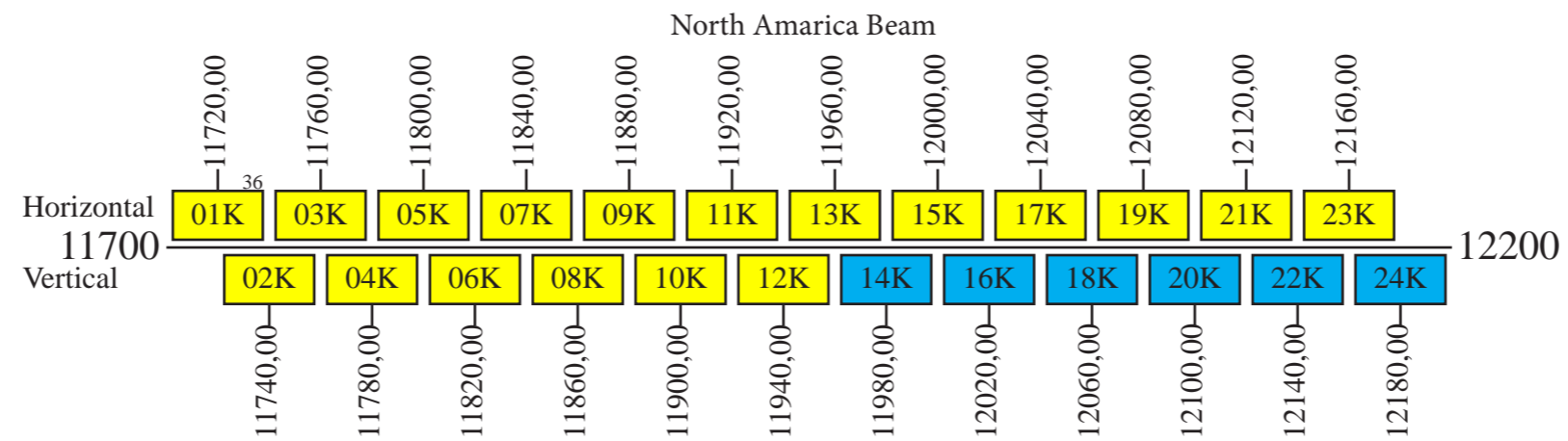
SES-2

Frequency Plan Ku-Band

Uplink



Downlink

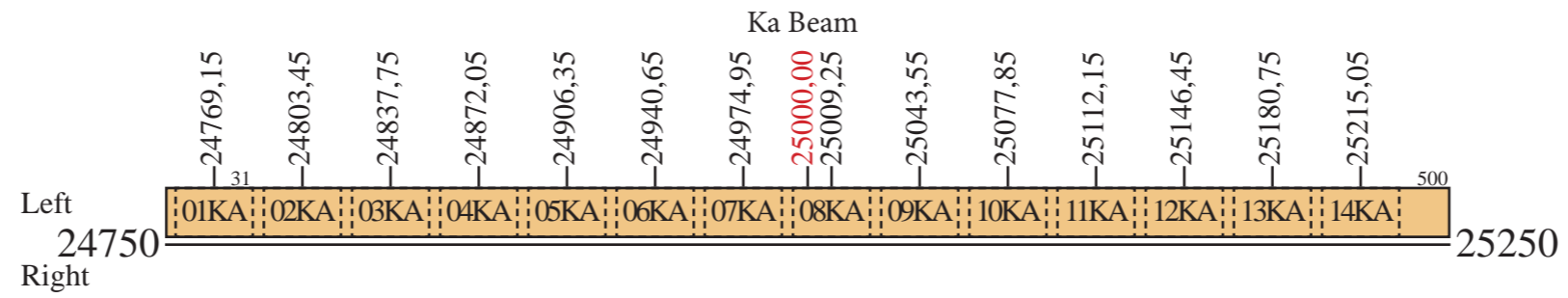


Note: The transponders 14K to 24K are cross-connect from C-band uplink (tx 14C to 24C), switchable on channel by channel basis.

SES-2

Frequency Plan Ka-Band

Uplink



Downlink

