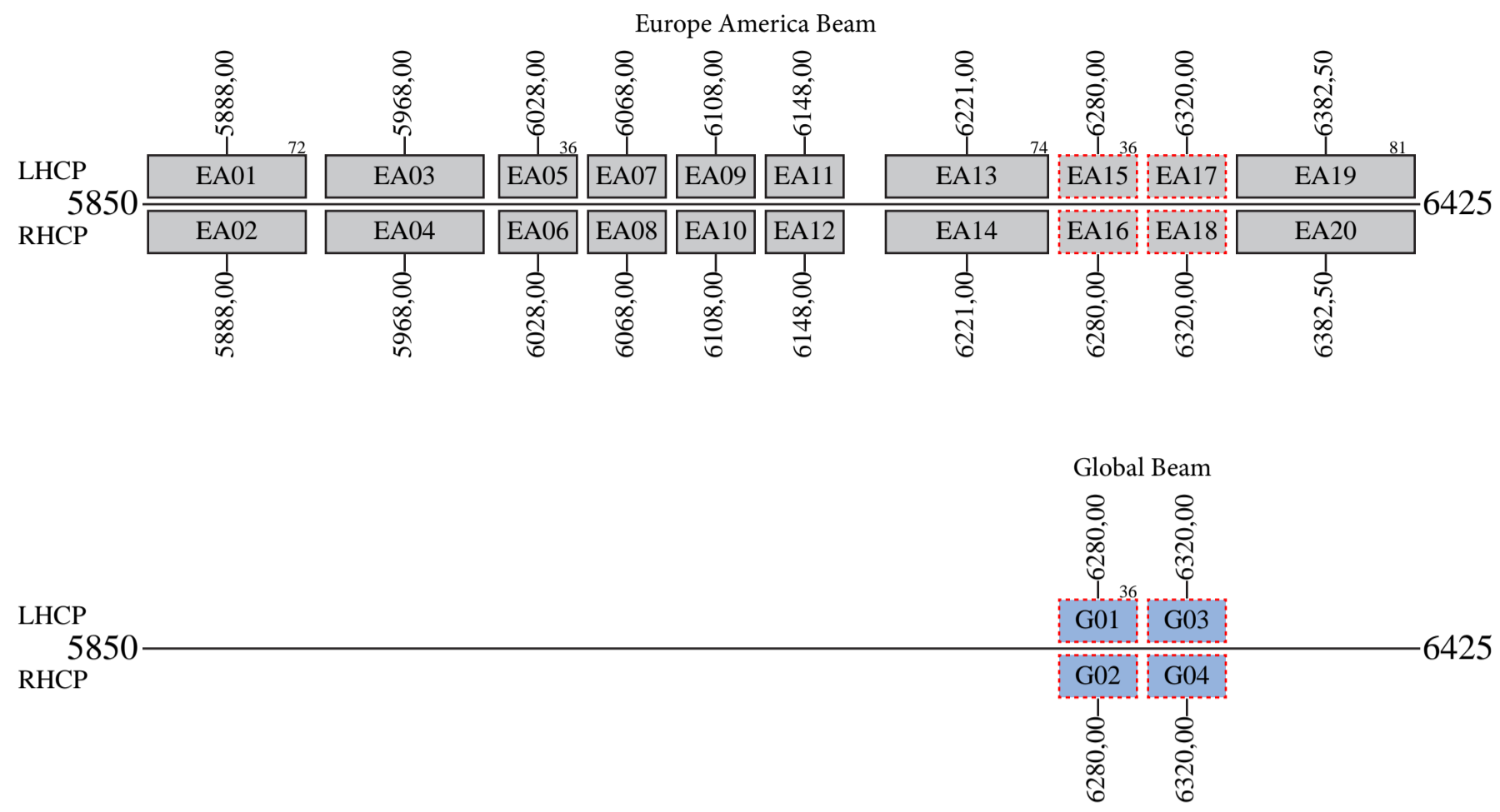


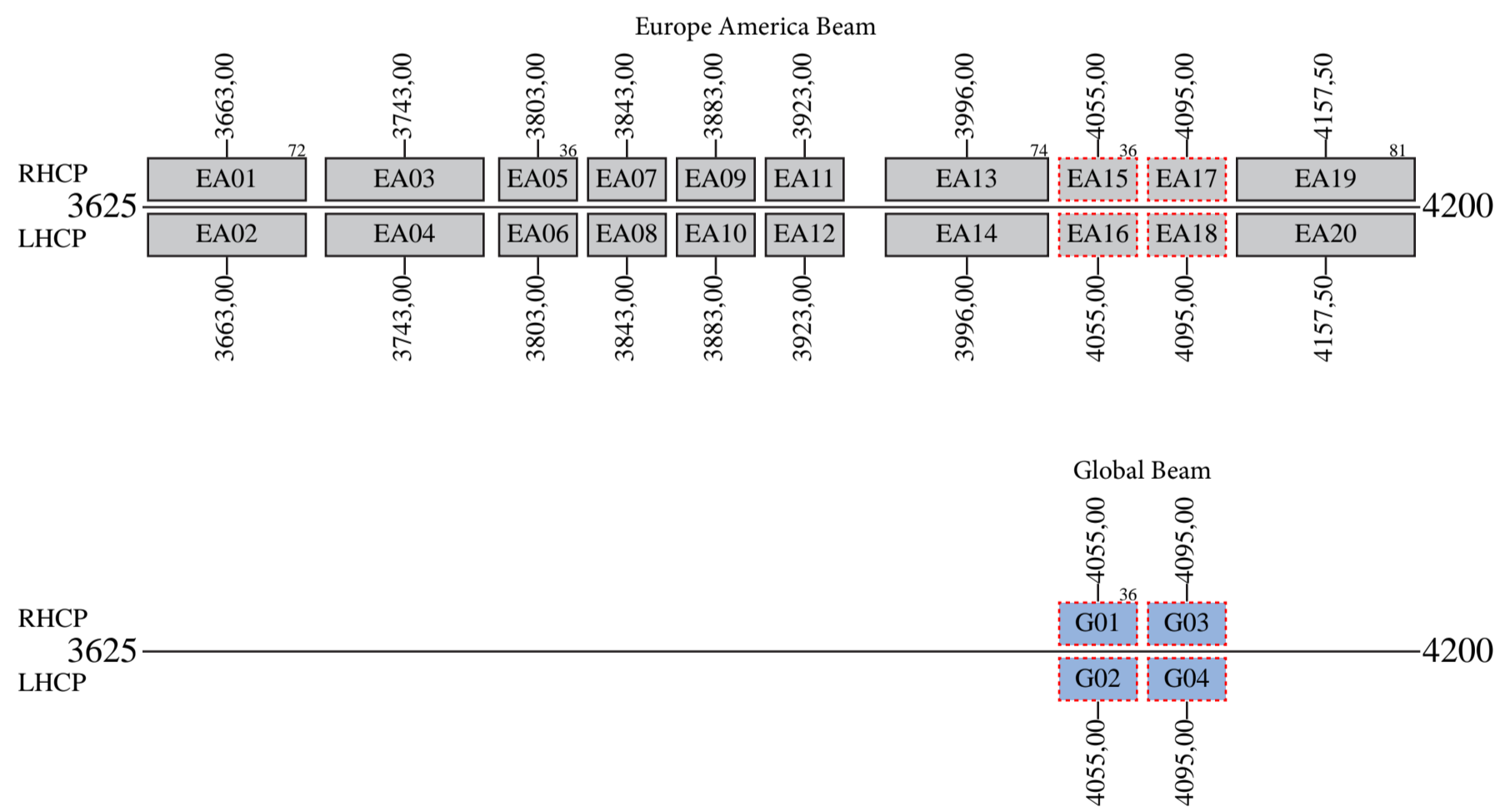
SES-14

Provisional Frequency Plan

Uplink



Downlink

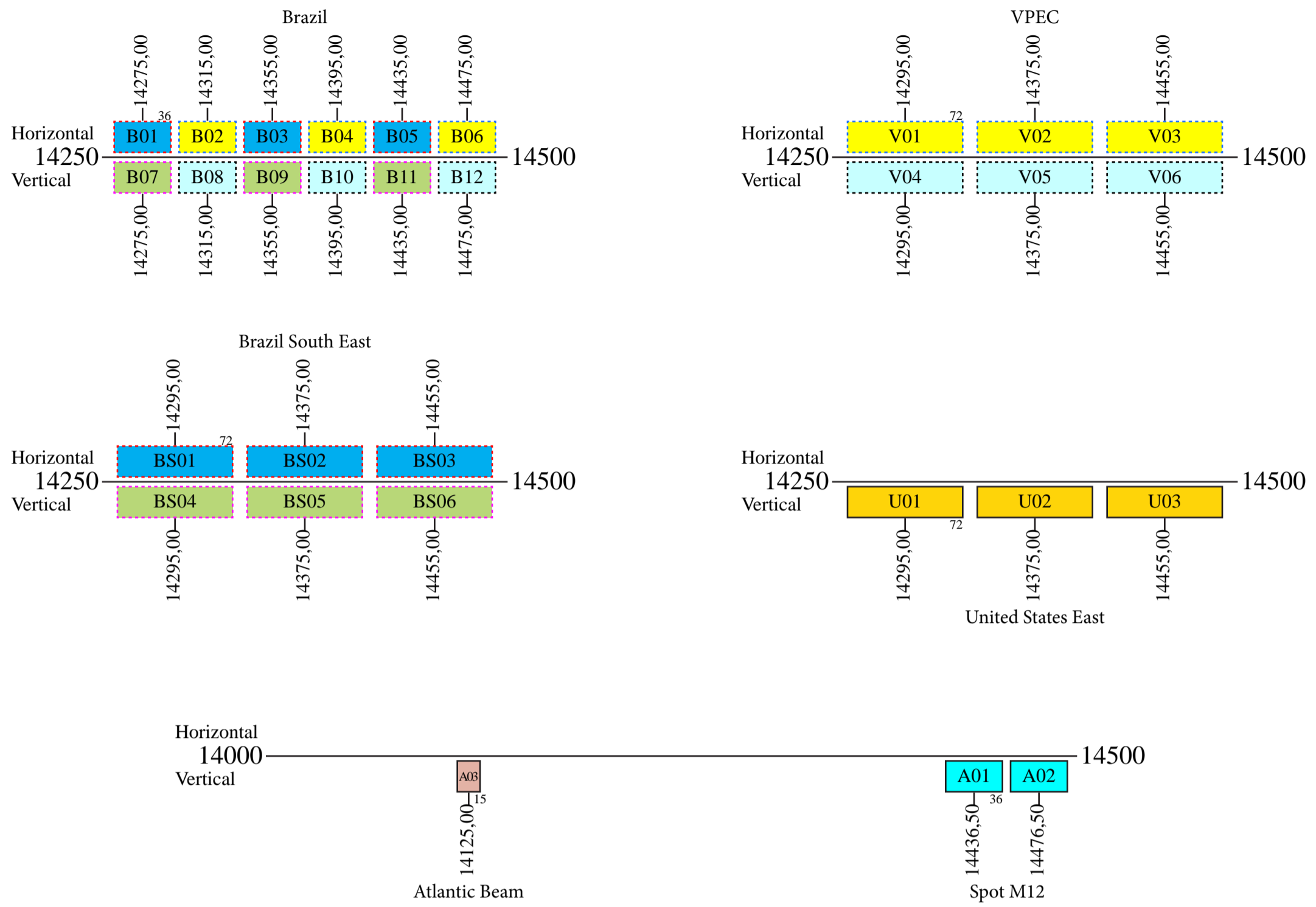


- Command 1a: 14002,00 V Global
- Command 1b: 14002,00 R or L Omni
- Command 2a: 14498,00 H Global
- Command 2b: 14498,00 R or L Omni
- Command 3a: 14002,00 H Global
- Command 3b: 14002,00 R or L Omni
- Telemetry 1a: 12198,00 H Global
- Telemetry 1b: 12198,00 R or L Omni
- Telemetry 2a: 10953,00 V Global
- Telemetry 2b: 10953,00 R or L Omni
- Beacon 1: 4198,00 V Global
- Beacon 2: 20199,00 L Global

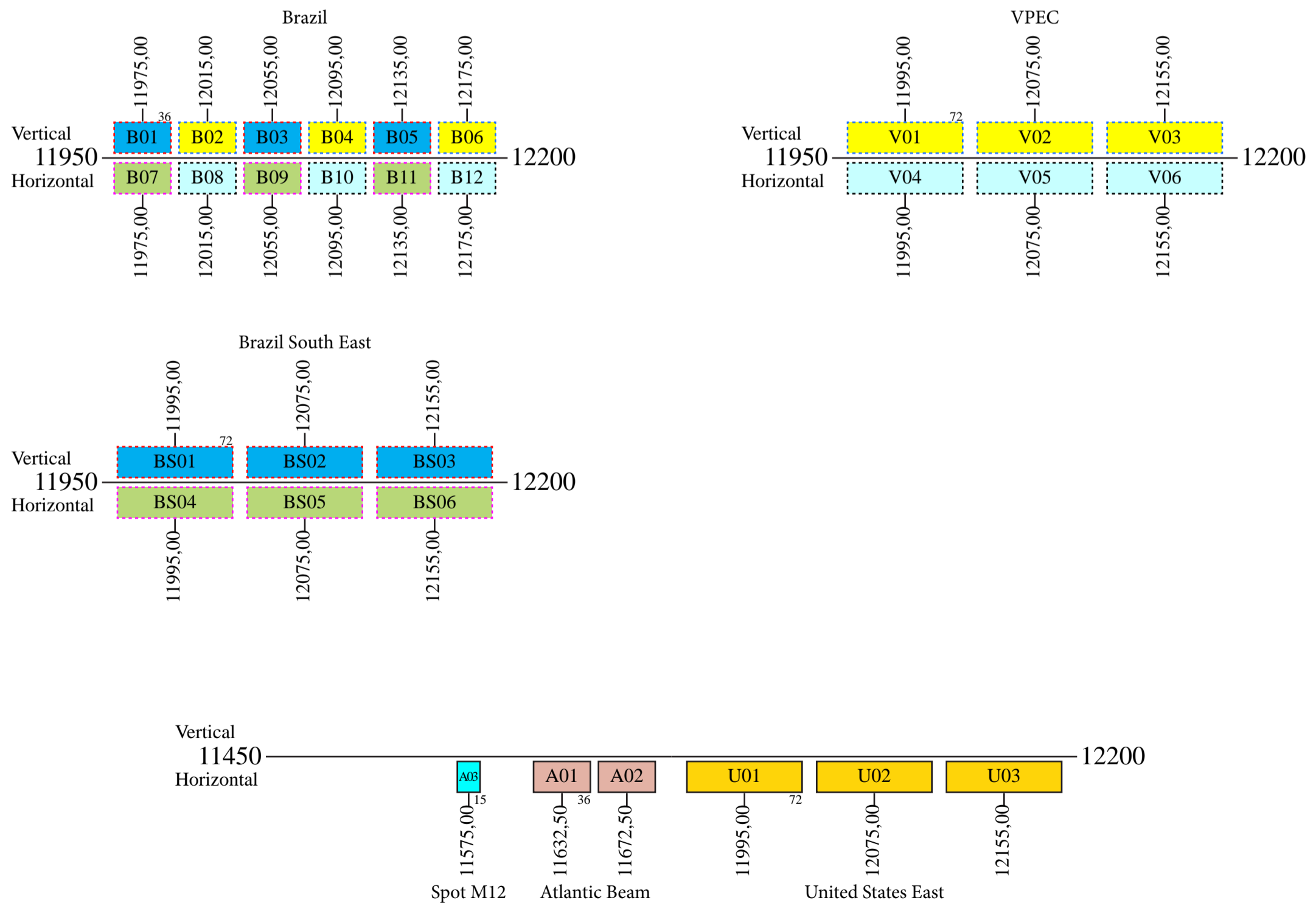
SES-14

Provisional Frequency Plan

Uplink



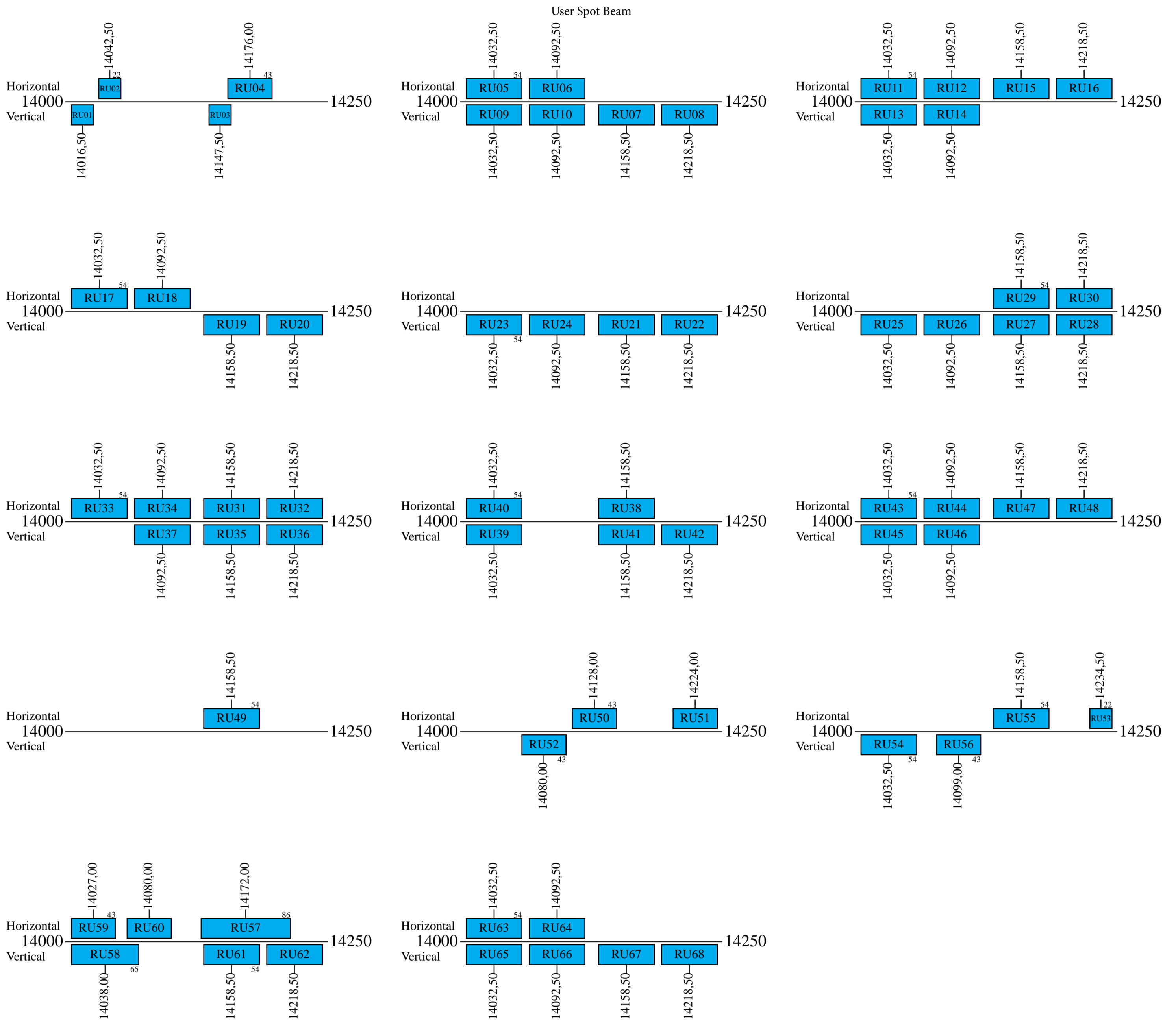
Downlink



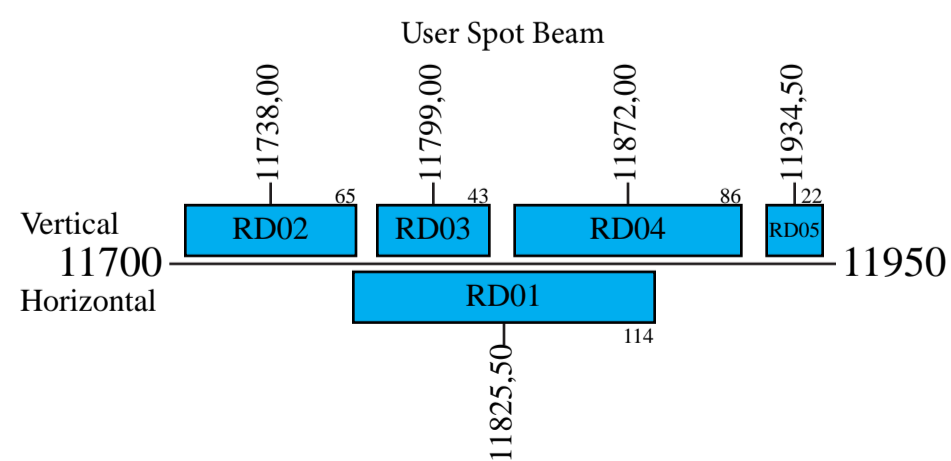
SES-14

Provisional Frequency Plan

Uplink



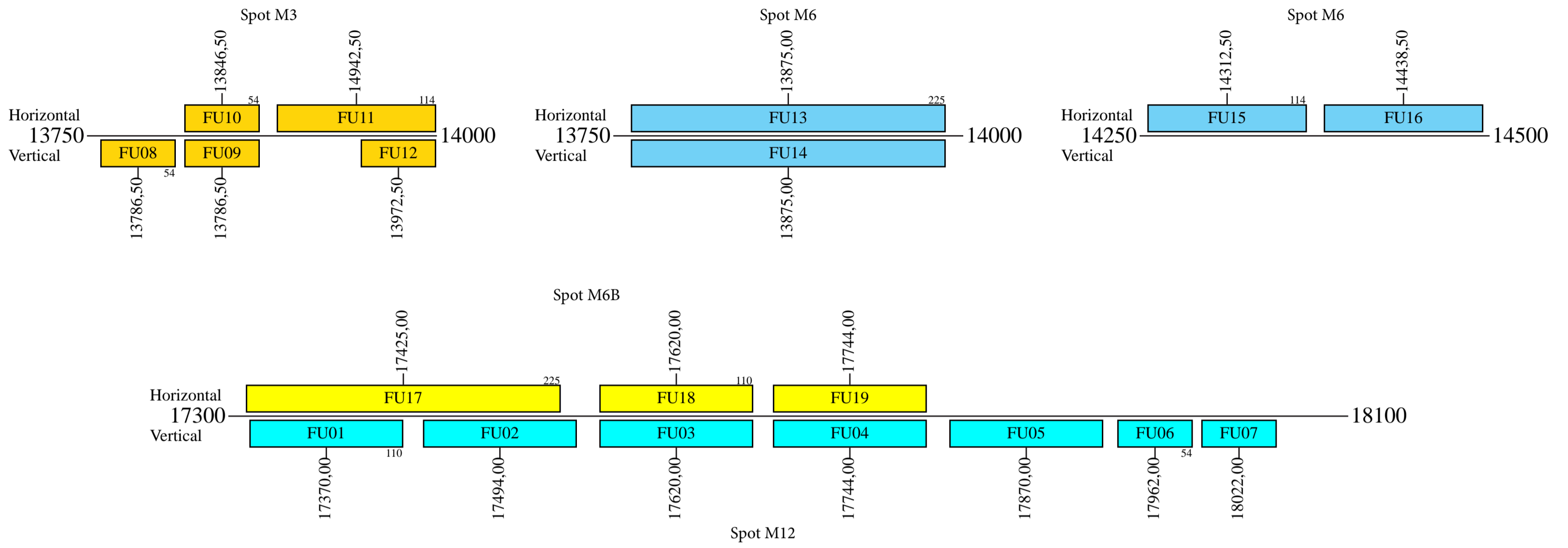
Downlink



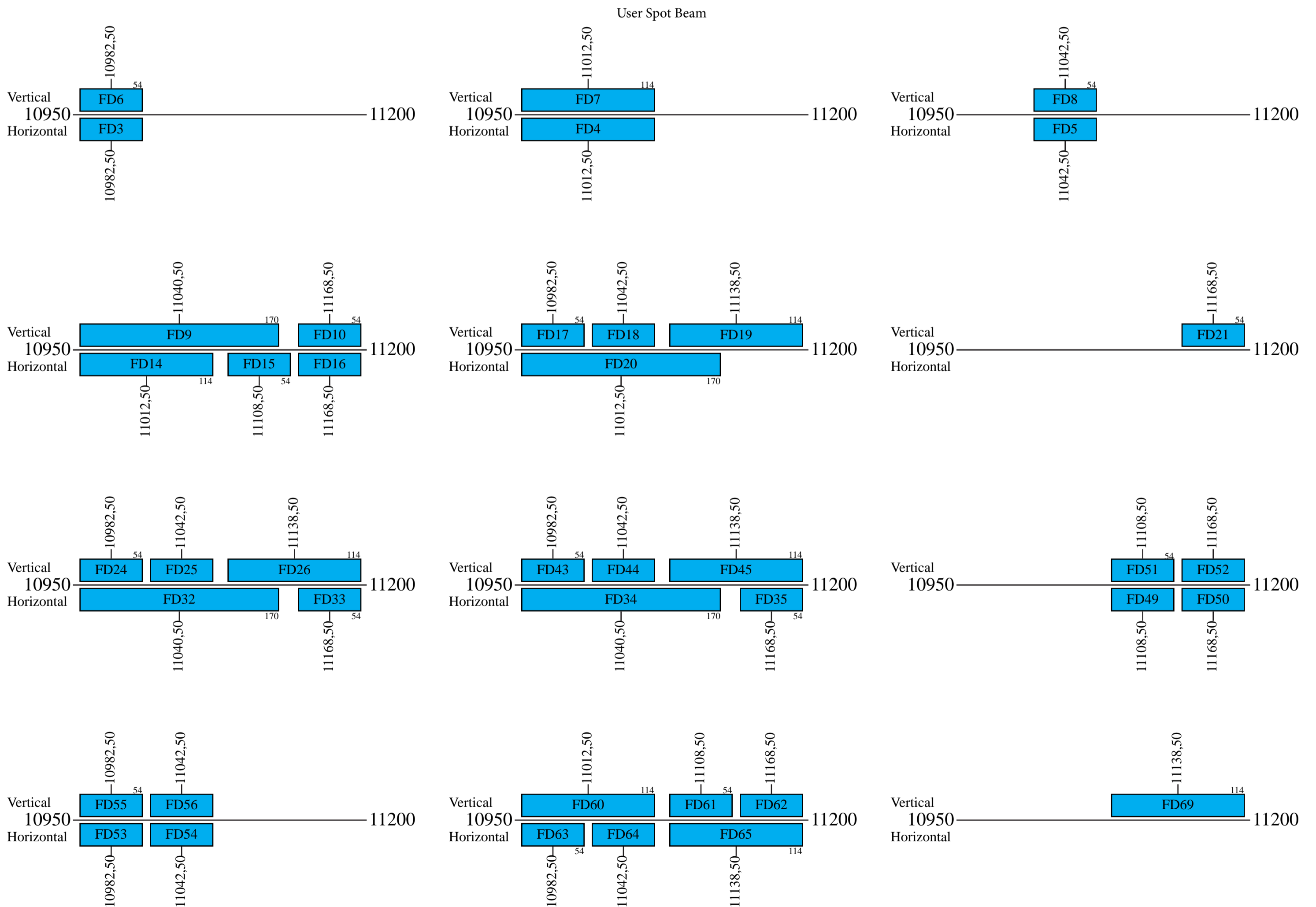
SES-14

Provisional Frequency Plan

Uplink



Downlink



SES-14

Provisional Frequency Plan

Downlink

