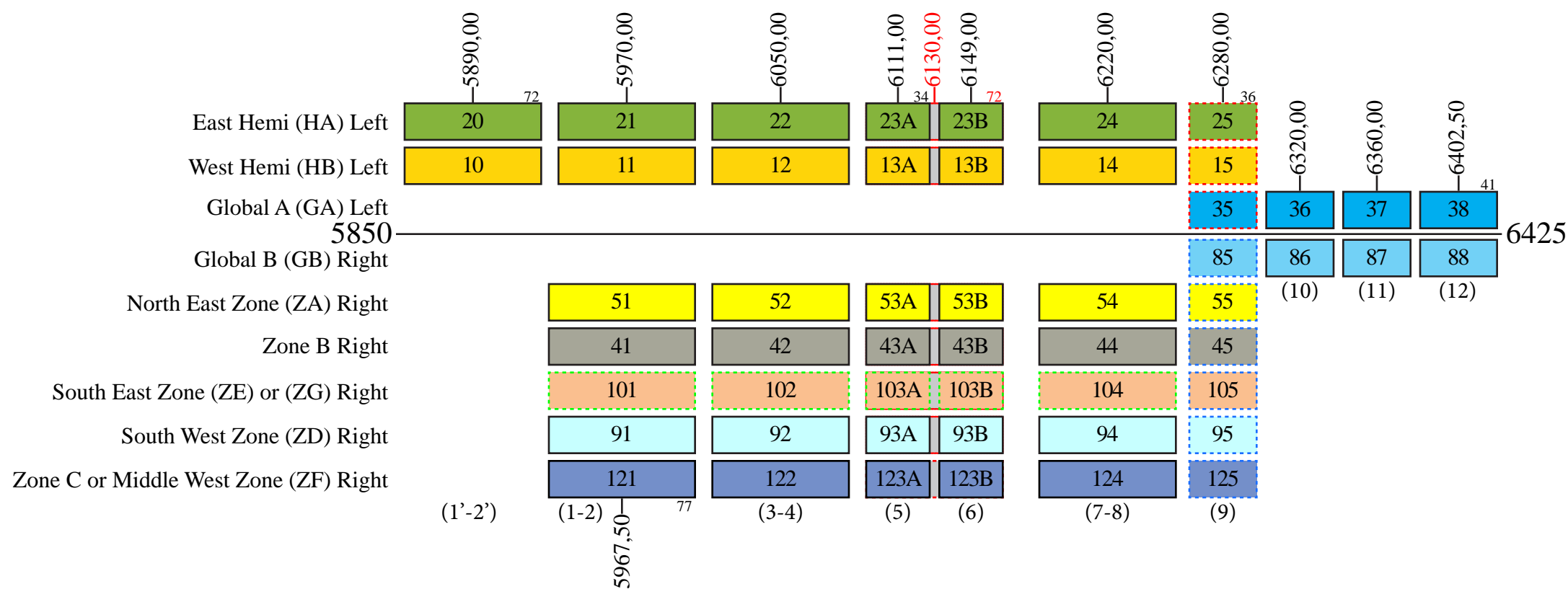


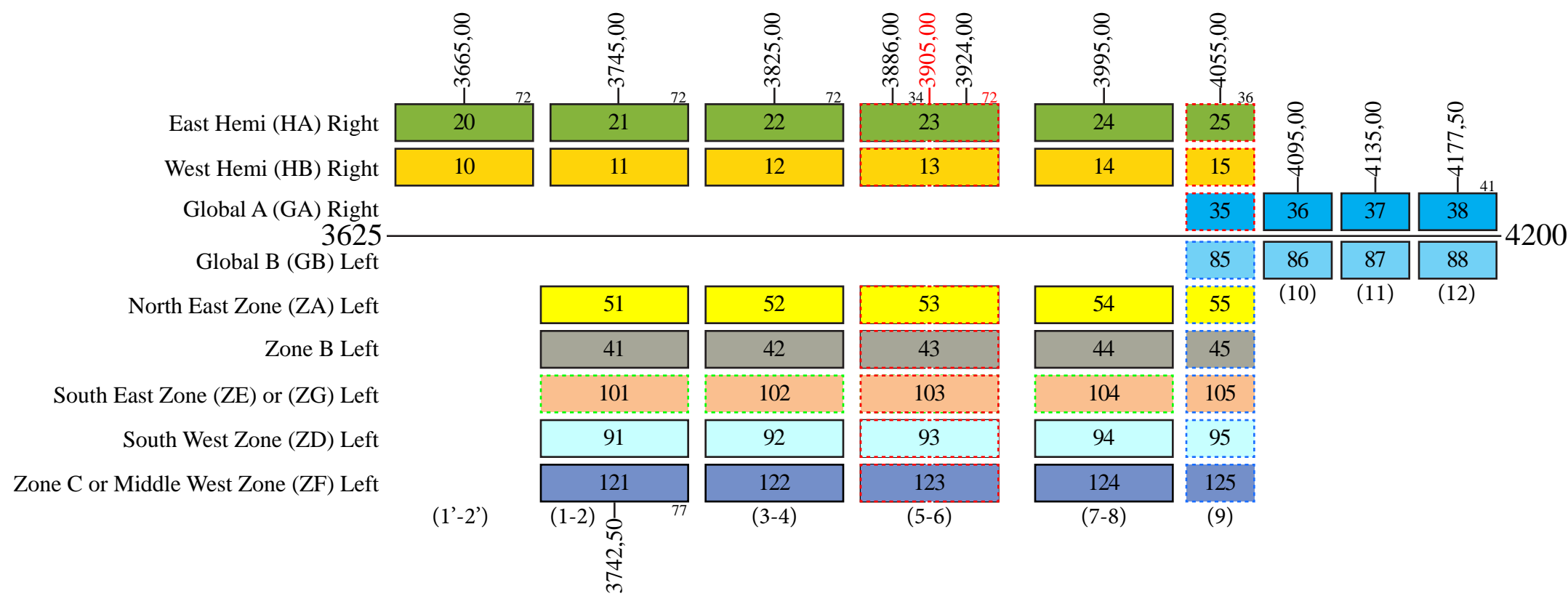
# NSS-5

## Frequency Plan C-Band

### Uplink



### Downlink



**Hemi/Zone Beam Attitude Mode = Normal:** East (HA), West(HB), NE(ZA), NW(ZB), MW(ZC), SW(ZD).

**Normal:** East (HA), West(HB), NE(ZA), NW(ZB), SE(ZE or ZG), ME(ZF), SW(ZD).

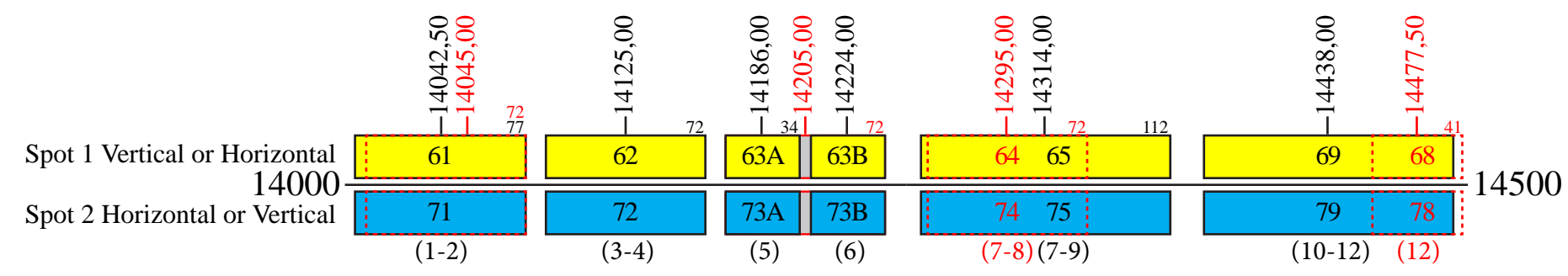
**Inverted:** West (HA), East(HB), SE(ZA), NE(ZD), NW(ZE), MW(ZF).

Command 1: 6173,70 L  
 Command 2: 6176,30 L  
 Telemetry 1: 3947,50 R  
 Telemetry 1B: 3948,00 R  
 Telemetry 2: 3952,50 R  
 Telemetry 2B: 3952,00 R  
 Beacon 1: 3950,00 V  
 Beacon 2: 11198,00 R  
 Beacon 3: 11452,00 R  
 Beacon 4: 11701,00 V or H  
 Beacon 5: 12501,00 V or H

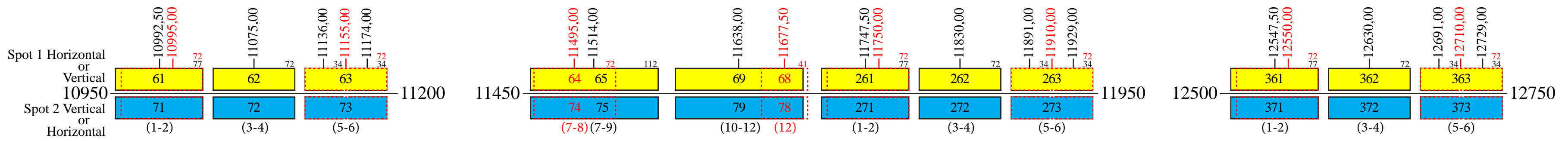
# NSS-5

## Frequency Plan Ku-Band

### Uplink



### Downlink



**Note:** The slot (1-2),(3-4),(5-6) switchable 10950-11200 or 11700-11950 or 12500-12750 channel by channel.

# Interconnections

Slot Uplink	Beam Uplink	Slot Downlink	Beam Downlink
1'-2',1-2,3-4,5/5-6,6/5-6,7-8,9	HA,HB	1'-2',1-2,3-4,5-6,7-8,9	Hemi A
1-2,3-4,5/5-6,6/5-6,7-8,9	ZA,ZB,ZC,ZD,ZE,ZF,ZG,	1-2,3-4,5-6,7-8,9	
1-2,3-4,5/5-6,6/5-6,7-8	S1,S2	1-2,3-4,5-6,7-8	
9	GB	9	
1'-2',1-2,3-4,5/5-6,6/5-6,7-8,9	HA,HB	1'-2',1-2,3-4,5-6,7-8,9	Hemi B
1-2,3-4,5/5-6,6/5-6,7-8,9	ZA,ZB,ZC,ZD,ZE,ZF,ZG,S1,S2	1-2,3-4,5-6,7-8,9	
1-2,3-4,5/5-6,6/5-6,7-8	S1,S2	1-2,3-4,5-6,7-8	
9	GA	9	
1-2,3-4,5/5-6,6/5-6,7-8,9	HA,HB,ZA,ZB,ZC,ZD,ZE,ZF,ZG,S1,S2	1-2,3-4,5-6,7-8,9	Zona A
1-2,3-4,5/5-6,6/5-6,7-8	S1,S2	1-2,3-4,5-6,7-8	
1-2,3-4,5/5-6,6/5-6,7-8,9	HA,HB,ZA,ZB,ZC,ZD,ZG,S1,S2	1-2,3-4,5-6,7-8,9	Zona B
1-2,3-4,5/5-6,6/5-6,7-8	S1,S2	1-2,3-4,5-6,7-8	
1-2,3-4,5/5-6,6/5-6,7-8,9	HA,HB,ZA,ZB,ZC,ZD,S1,S2	1-2,3-4,5-6,7-8,9	Zona C
1-2,3-4,5/5-6,6/5-6,7-8	S1,S2	1-2,3-4,5-6,7-8	
1-2,3-4,5/5-6,6/5-6,7-8,9	HA,HB,ZA,ZB,ZC,ZD,ZE,ZF,ZG,S1,S2	1-2,3-4,5-6,7-8,9	Zona D
1-2,3-4,5/5-6,6/5-6,7-8	S1,S2	1-2,3-4,5-6,7-8	
1-2,3-4,5/5-6,6/5-6,7-8,9	HA,HB,ZA,ZD,ZE,ZF,S1,S2	1-2,3-4,5-6,7-8,9	Zona E
1-2,3-4,5/5-6,6/5-6,7-8	S1,S2	1-2,3-4,5-6,7-8	
1-2,3-4,5/5-6,6/5-6,7-8,9	HA,HB,ZA,ZD,ZE,ZF,S1,S2	1-2,3-4,5-6,7-8,9	Zona F
1-2,3-4,5/5-6,6/5-6,7-8	S1,S2	1-2,3-4,5-6,7-8	
1-2,3-4,5/5-6,6/5-6,7-8,9	HA,HB,ZA,ZB,ZD,ZG,S1,S2	1-2,3-4,5-6,7-8,9	Zona G
1-2,3-4,5/5-6,6/5-6,7-8	S1,S2	1-2,3-4,5-6,7-8	
9	HB	9	Global A
9,10,11,12	GA	9	
12	S1,S2	12	
9	HA	9	Global B
9,10,11,12	GB	9	
12	S1,S2	12	
1-2,3-4,5/5-6,6/5-6,7-9,10-12,12	S1,S2	1-2,3-4,5-6,7-9,10-12,12	Spot 1
1-2,3-4,5/5-6,6/5-6,7-8	HA,HB,ZA,ZB,ZC,ZD,ZE,ZF,ZG	1-2,3-4,5-6,7-8	
12	GA,GB	12	
1-2,3-4,5/5-6,6/5-6,7-9,10-12,12	S1,S2	1-2,3-4,5-6,7-9,10-12,12	Spot 2
1-2,3-4,5/5-6,6/5-6,7-8	HA,HB,ZA,ZB,ZC,ZD,ZE,ZF,ZG	1-2,3-4,5-6,7-8	
12	GA,GB	12	