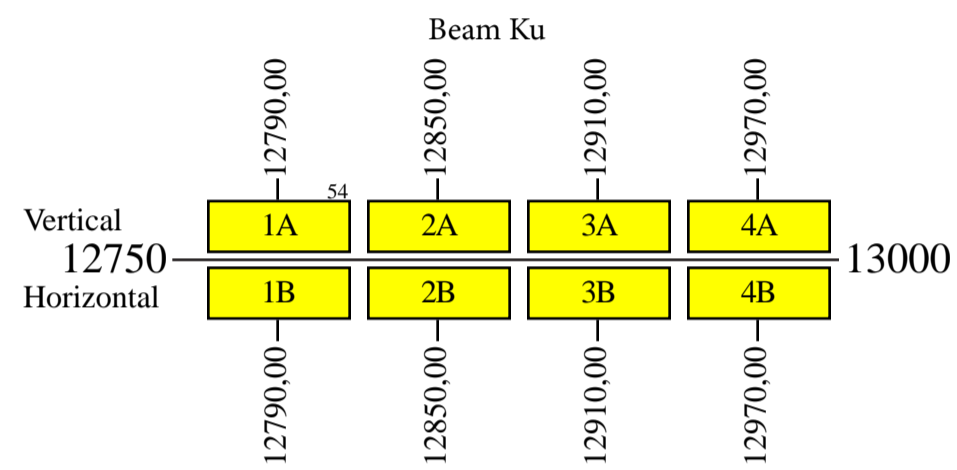
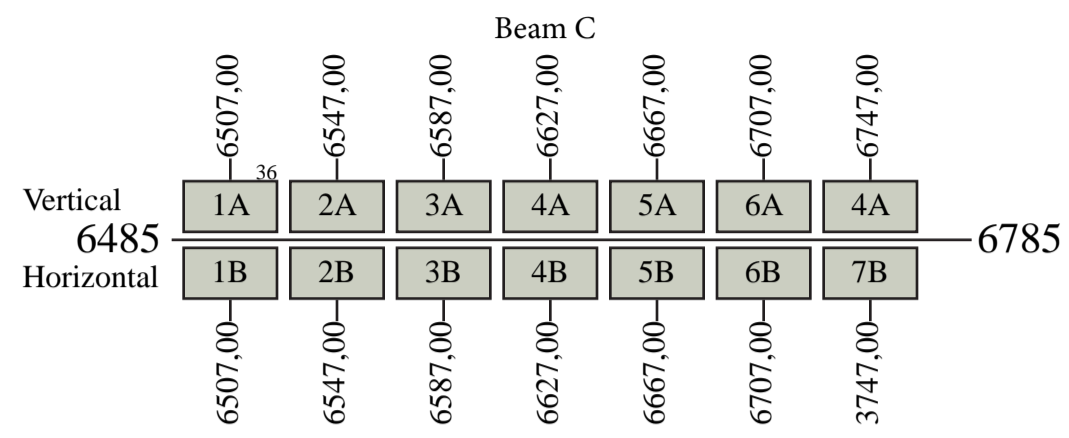


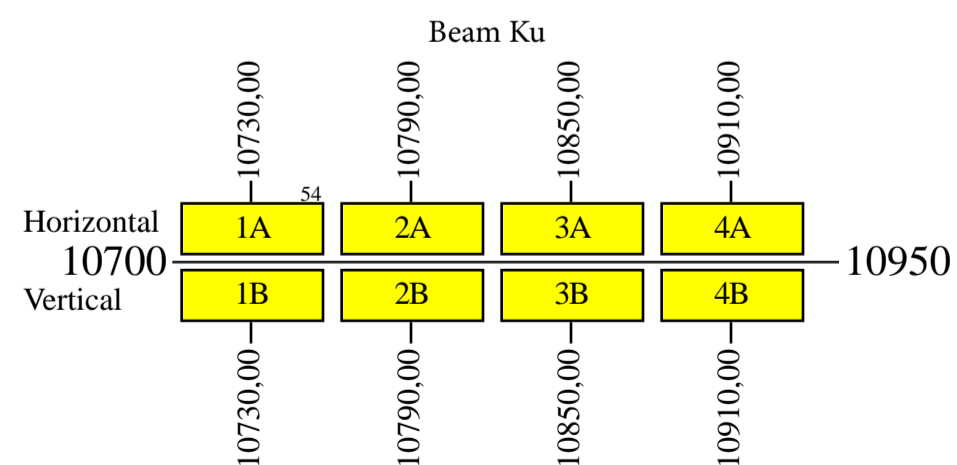
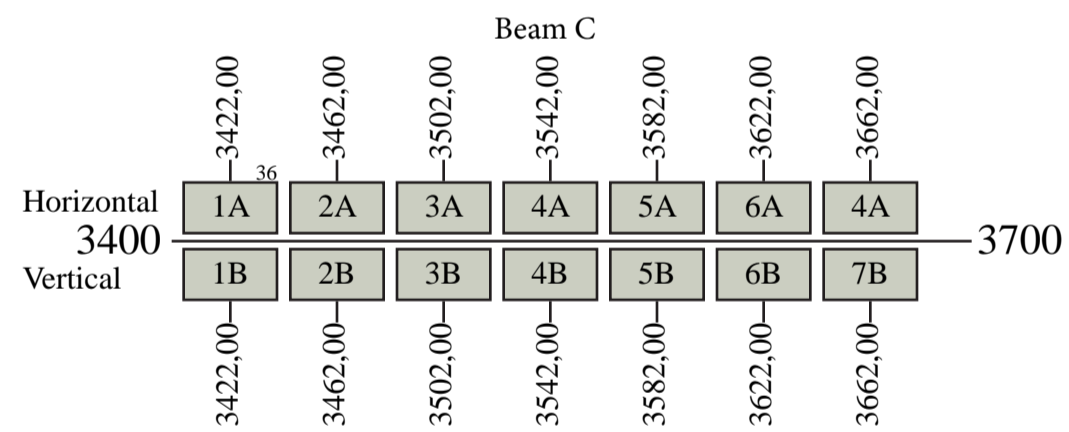
LaoSat 1

Frequency Plan

Uplink



Downlink



Command 1: 5906,00 V
 Command 2: 5915,00 H
 Command 3: 5924,00 V
 Beacon 1: 3695,00 H
 Beacon 2: 3699,00 V
 Beacon 3: 3717,00 H
 Beacon 4: 10946,00 H
 Beacon 5: 10948,00 V