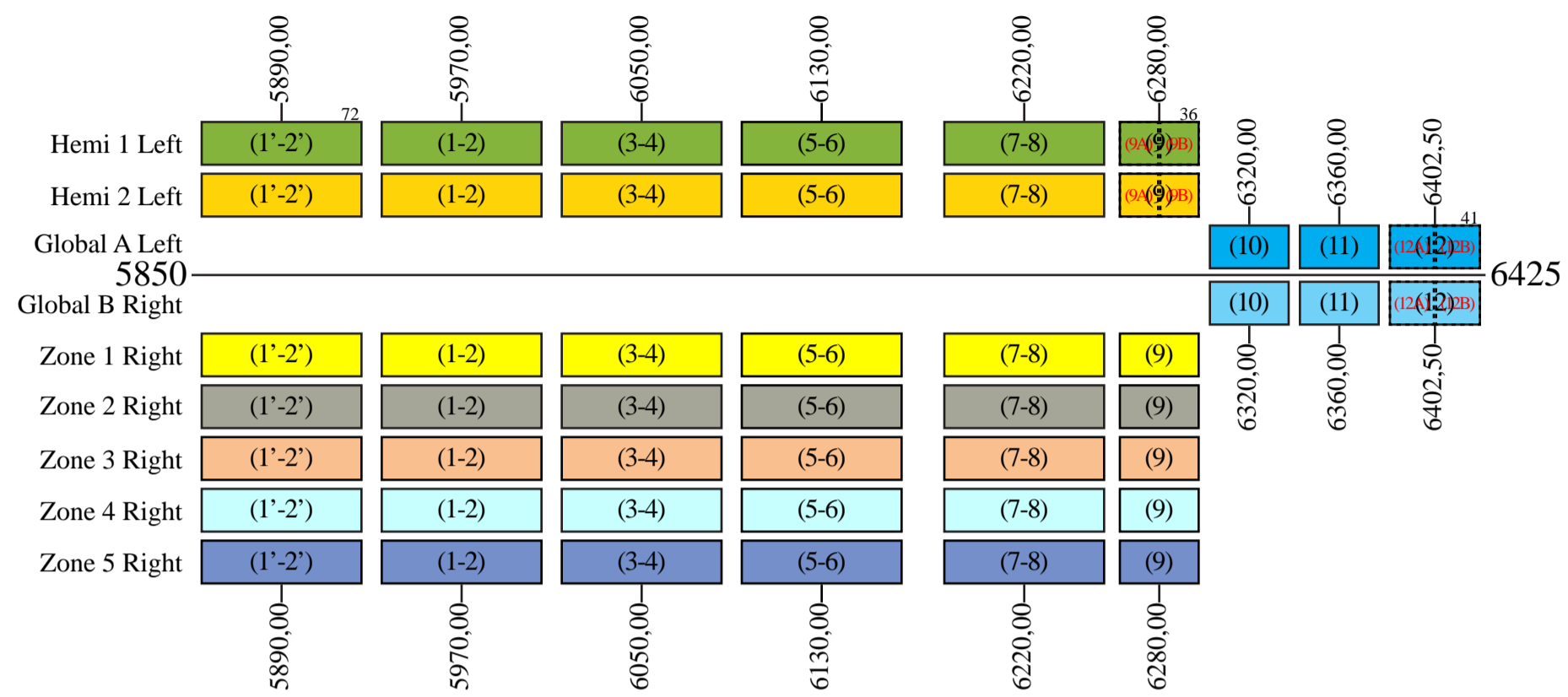


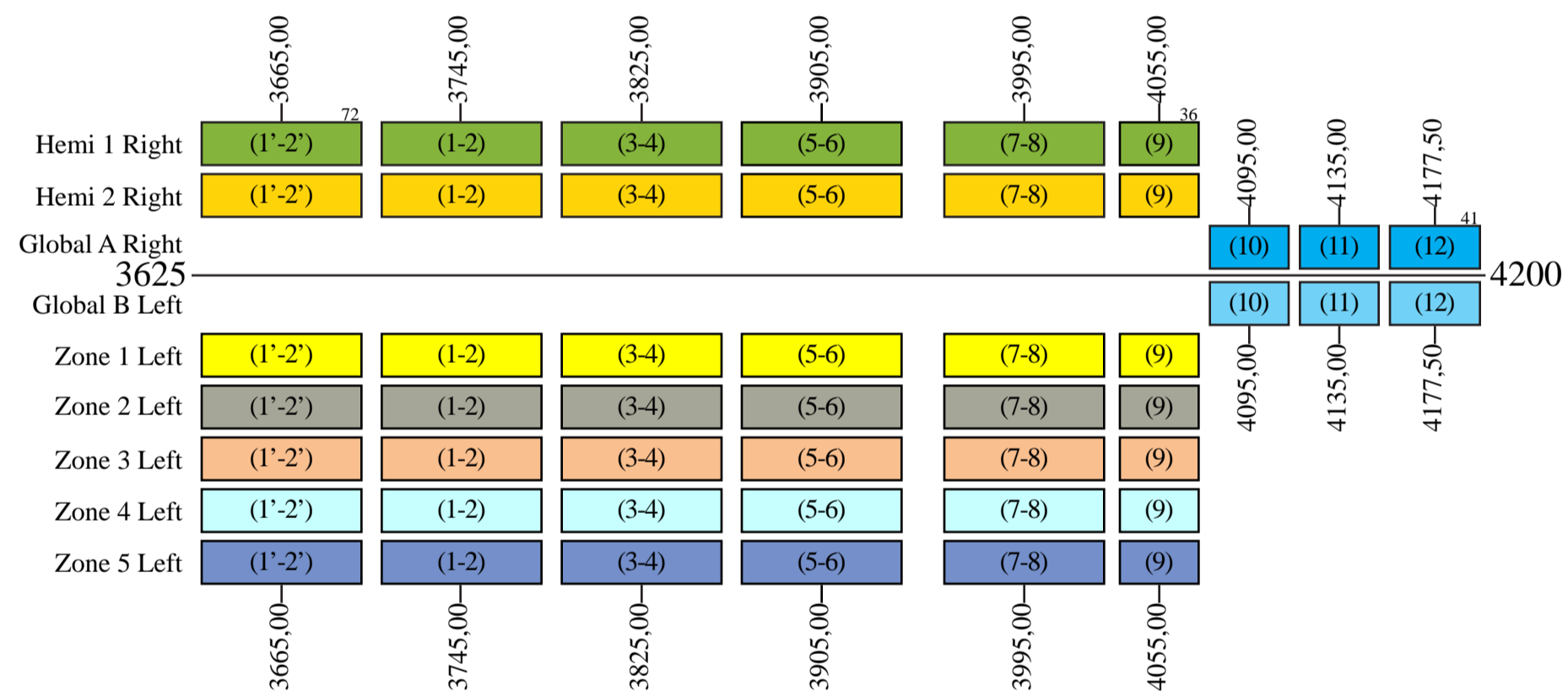
Intelsat Series 9

Frequency Plan C-Band

Uplink



Downlink

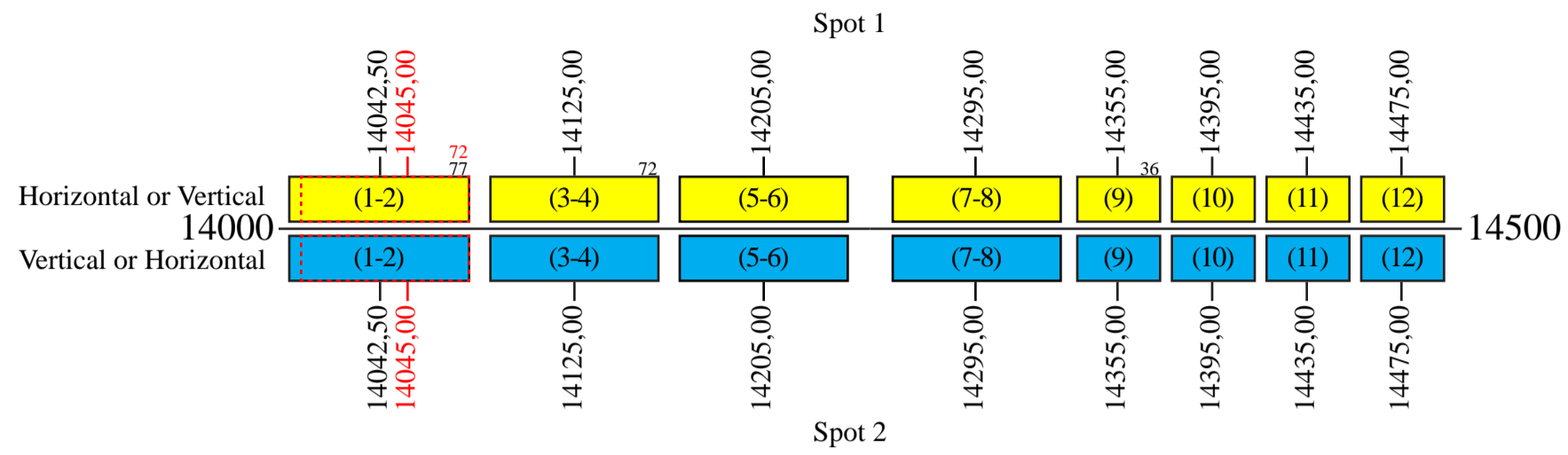


Command 1: 6173,70 L
 Command 2: 6176,30 L
 Telemetry 1: 3947,50 R
 Telemetry 1B: 3948,00 R
 Telemetry 2: 3952,50 R
 Telemetry 2B: 3952,00 R
 Beacon 1: 3950,00 V
 Beacon 2: 11198,00 R
 Beacon 3: 11452,00 R

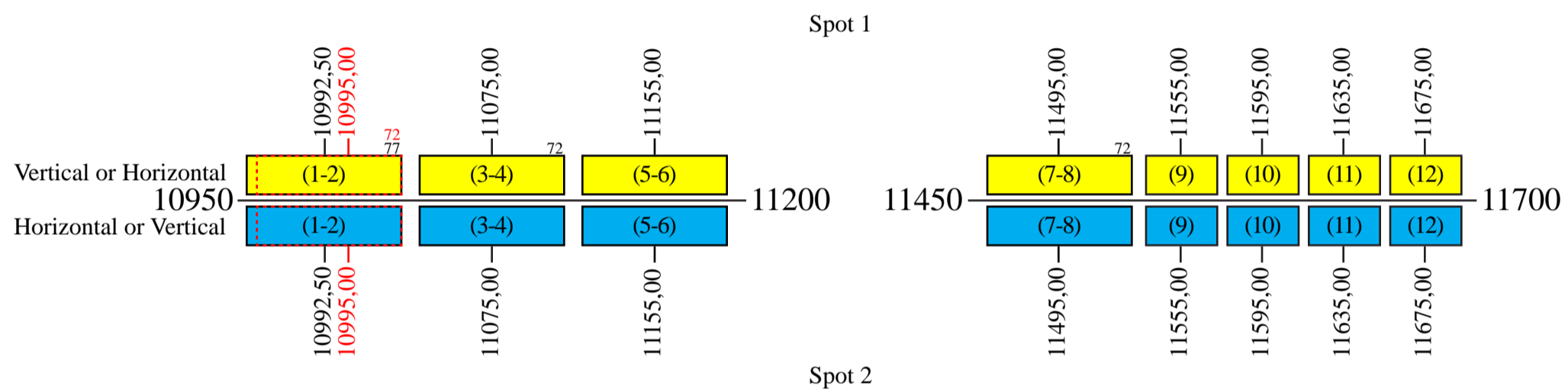
Intelsat Series 9

Frequency Plan Ku-Band

Uplink



Downlink



Interconnection			
Slot Uplink	Beam Uplink	Slot Downlink	Beam Downlink
10,11,12	GA	10,11,12	Global A
10,11,12	GB	10,11,12	Global B
1'-2',1-2,3-4,5-6,7-8,9	H1,H2,Z1,Z2,Z3,Z4,Z5	1'-2',1-2,3-4,5-6,7-8,9	Hemi 1
1-2,3-4,5-6,7-8	S1,S2	1-2,3-4,5-6,7-8	Hemi 2
1'-2',1-2,3-4,5-6,7-8,9	H1,H2,Z1,Z2,Z3,Z4,Z5	1'-2',1-2,3-4,5-6,7-8,9	
1-2,3-4,5-6,7-8	S1,S2	1-2,3-4,5-6,7-8	Zone 1
1'-2',1-2,3-4,5-6,7-8,9	H1,H2,Z1,Z2,Z3,Z4,Z5	1'-2',1-2,3-4,5-6,7-8,9	
1'-2',1-2,3-4,5-6,7-8,9	H1,H2,Z1,Z2,Z3,Z4,Z5	1'-2',1-2,3-4,5-6,7-8,9	Zone 2
1-2,3-4,5-6,7-8	S1,S2	1-2,3-4,5-6,7-8	
1'-2',1-2,3-4,5-6,7-8,9	H1,H2,Z1,Z2,Z3,Z4,Z5	1'-2',1-2,3-4,5-6,7-8,9	Zone 3
1-2,3-4,5-6,7-8	S1,S2	1-2,3-4,5-6,7-8	
1'-2',1-2,3-4,5-6,7-8,9	H1,H2,Z1,Z2,Z3,Z4,Z5	1'-2',1-2,3-4,5-6,7-8,9	Zone 4
1-2,3-4,5-6,7-8	S1,S2	1-2,3-4,5-6,7-8	
1'-2',1-2,3-4,5-6,7-8,9	H1,H2,Z1,Z2,Z3,Z4,Z5	1'-2',1-2,3-4,5-6,7-8,9	Zone 5
1-2,3-4,5-6,7-8	S1,S2	1-2,3-4,5-6,7-8	
1-2,3-4,5-6,7-8	H1,H2,Z1,Z2,Z3,Z4,Z5	1-2,3-4,5-6,7-8	Spot 1
1-2,3-4,5-6,7-8,9,10,11,12	S1,S2	1-2,3-4,5-6,7-8,9,10,11,12	
1-2,3-4,5-6,7-8	H1,H2,Z1,Z2,Z3,Z4,Z5	1-2,3-4,5-6,7-8	Spot 2
1-2,3-4,5-6,7-8,9,10,11,12	S1,S2	1-2,3-4,5-6,7-8,9,10,11,12	