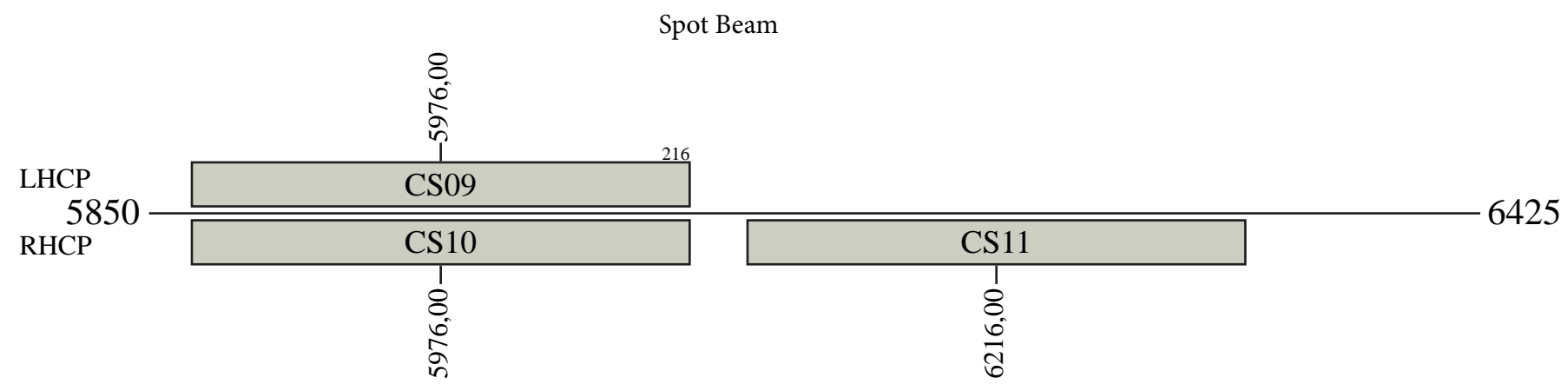
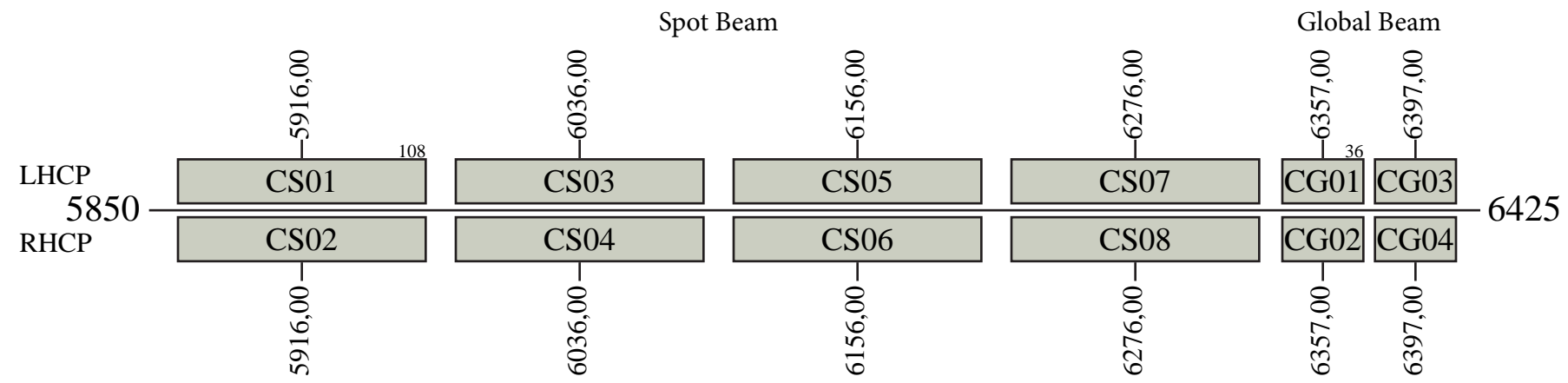


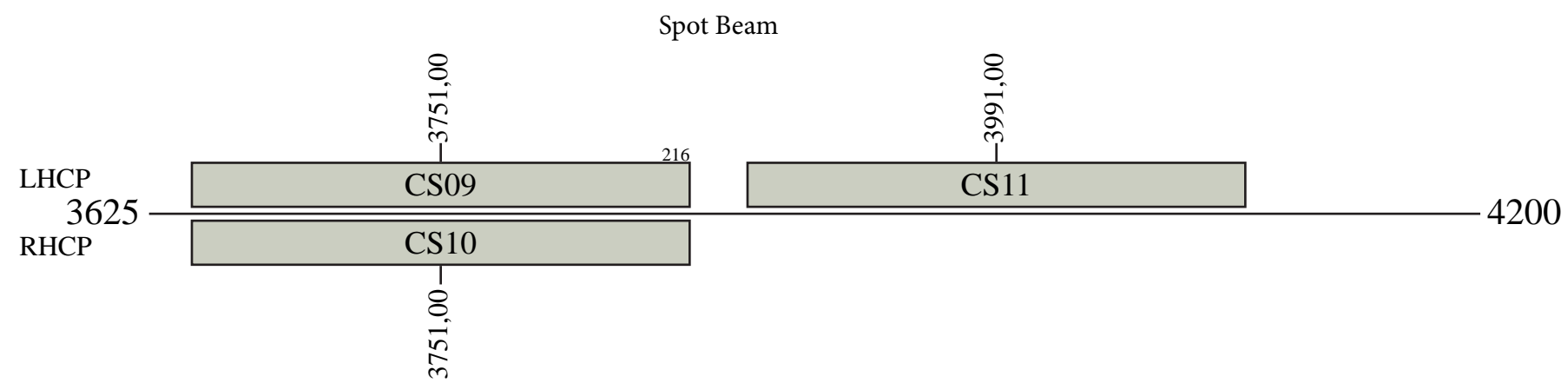
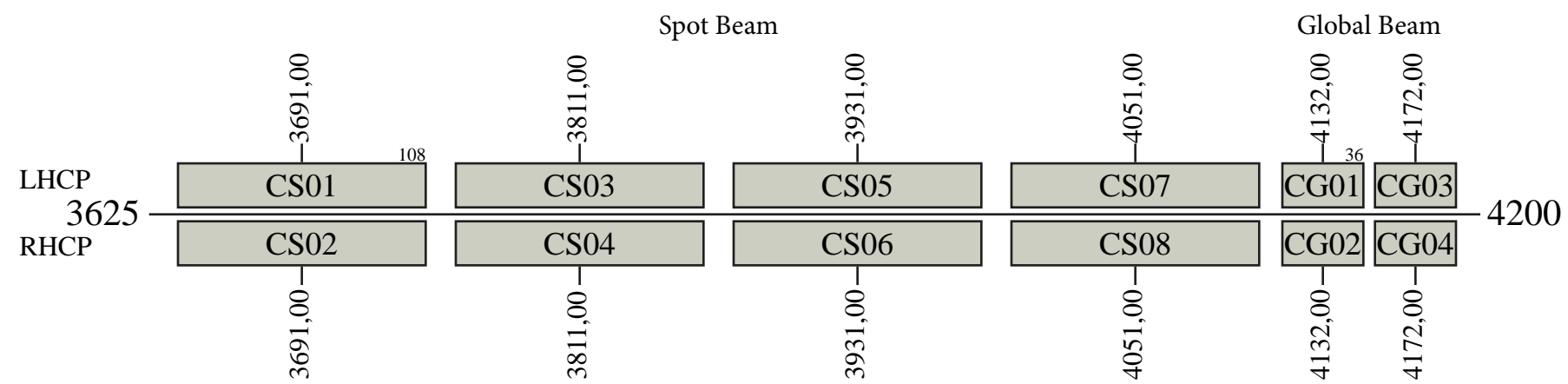
Intelsat 35e

Provisional Frequency Plan

Uplink



Downlink

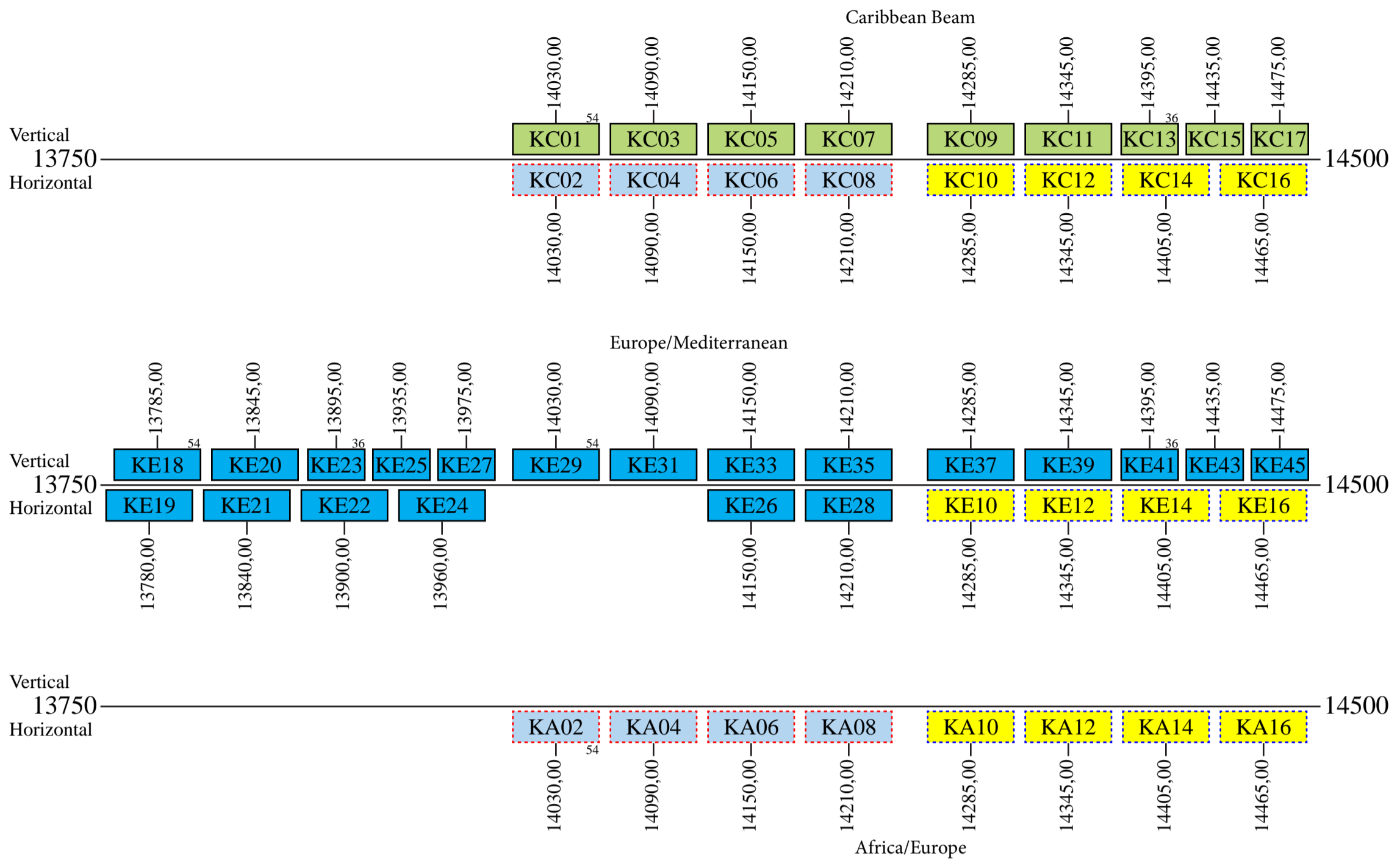


- Command 1: 6424,50 V Omni Beam
- Command 2: 6424,50 L Hemi Beam
- Command 3: 5853,00 L Global Beam
- Telemetry 1: 4197,75 L or H Omni or Global or Hemi Beam
- Telemetry 2: 4198,75 L or H Omni or Global or Hemi Beam
- Telemetry 3: 4198,25 L or H Omni or Global or Hemi Beam
- Telemetry 4: 4199,25 L or H Omni or Global or Hemi Beam
- Beacon 1: 4199,75 V Global Beam
- Beacon 2: 11198,00 R Global Beam
- Beacon 3: 11451,50 R Global Beam

Intelsat 35e

Provisional Frequency Plan

Uplink



Downlink

