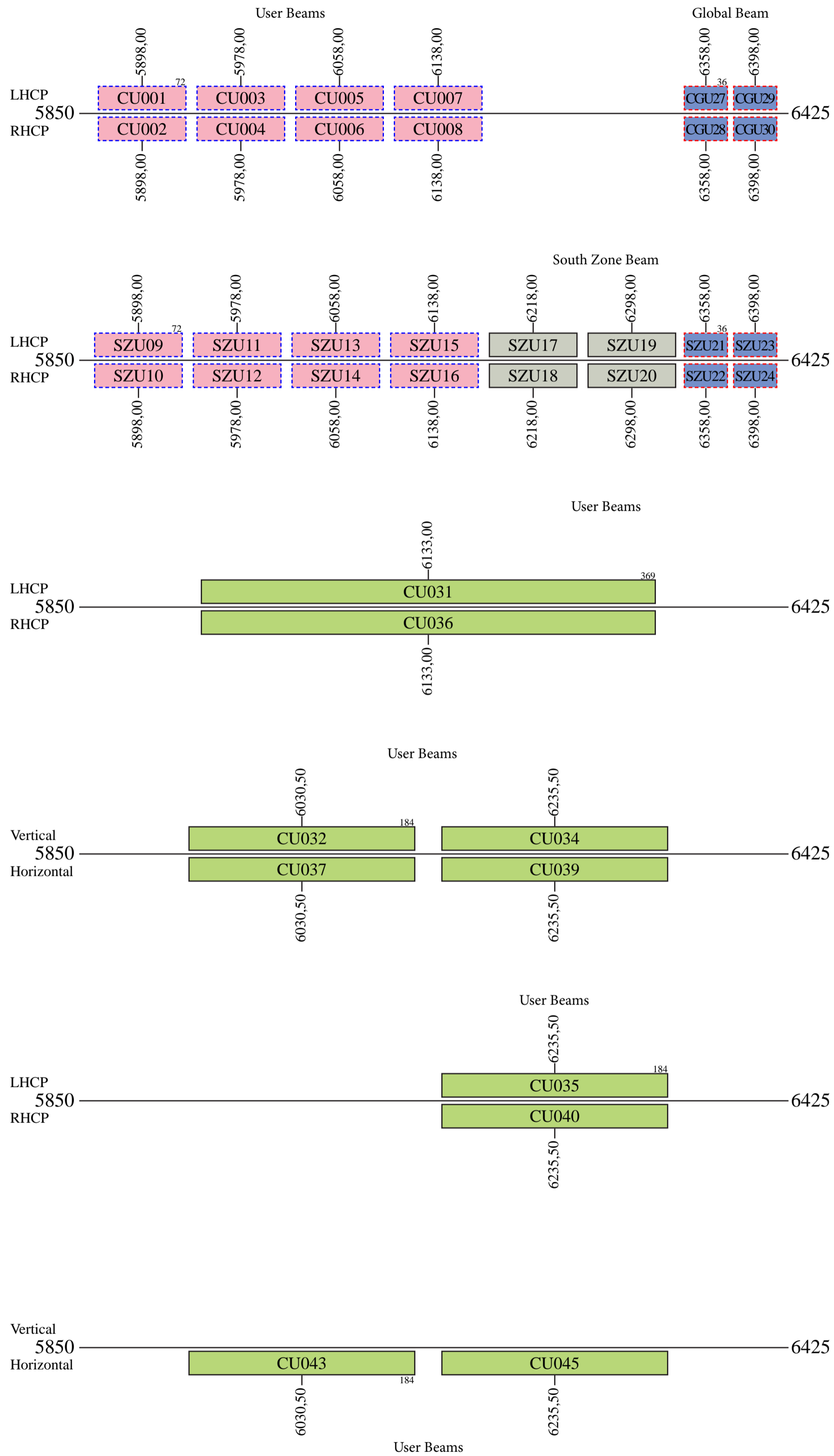


Intelsat 33e

Provisional Frequency Plan

Uplink

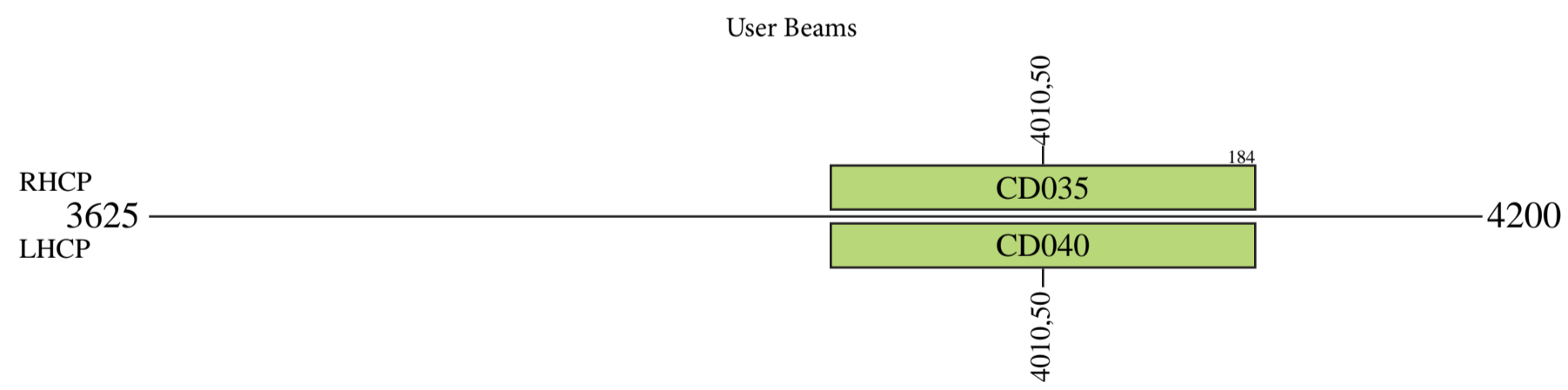
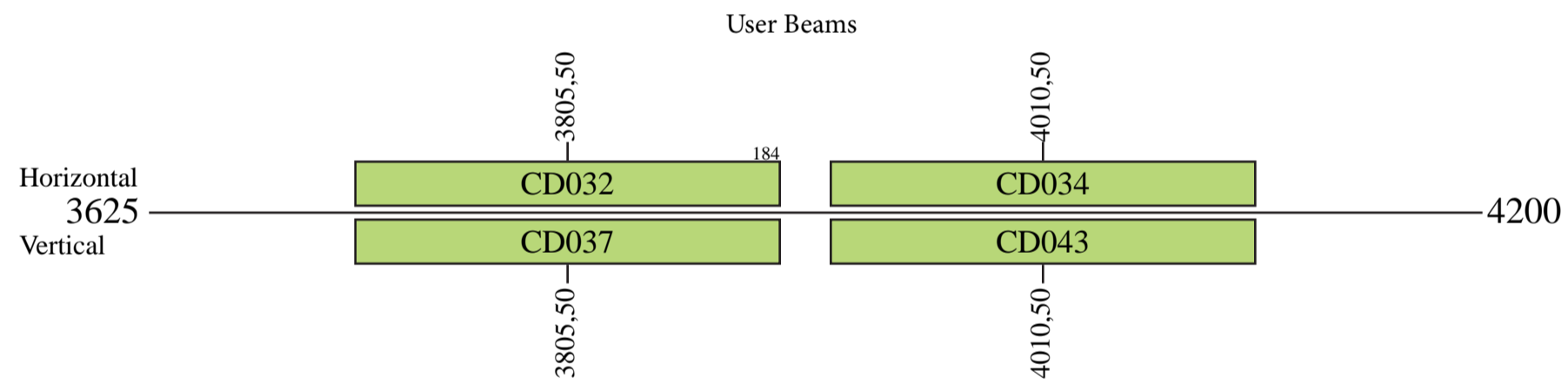
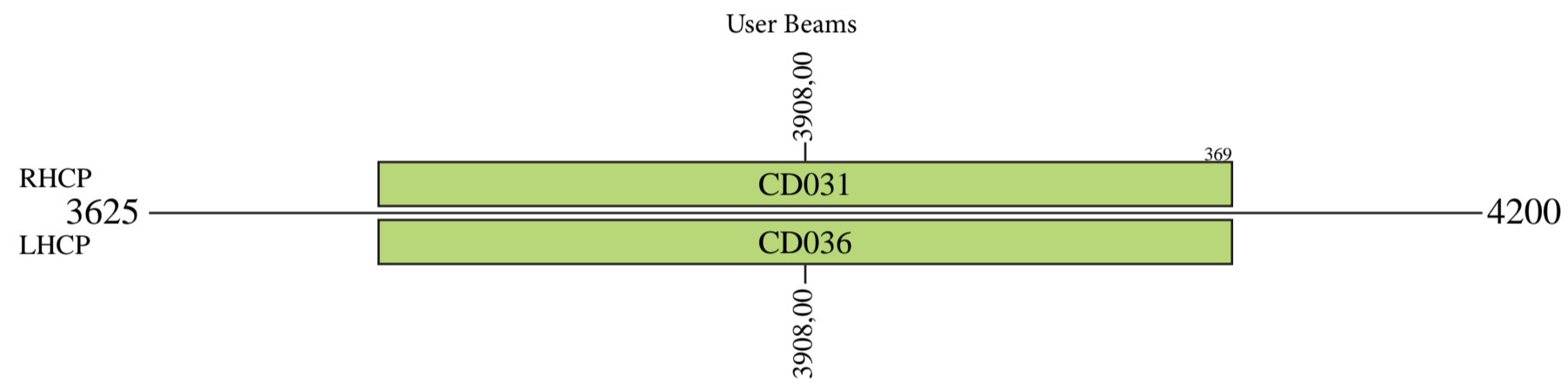
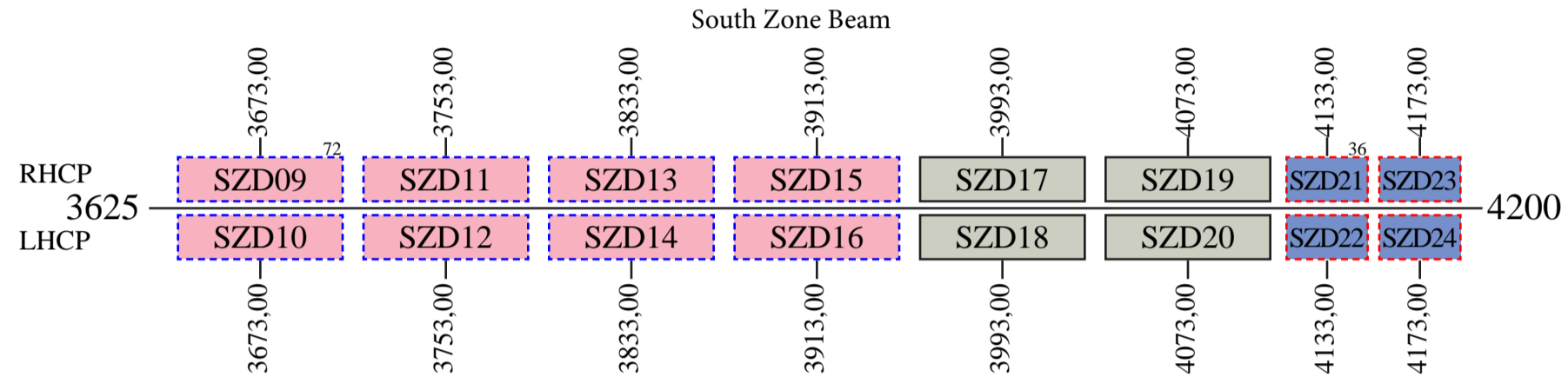
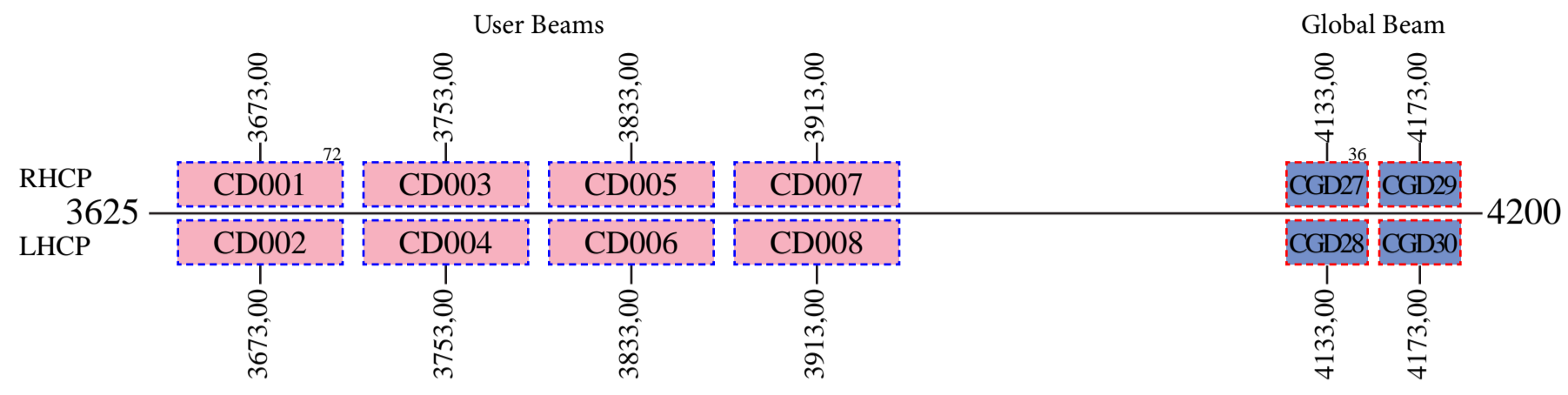


- Command 1: 6422,00 V or L Global Beam
- Command 2: 5850,50 L Global Beam
- Command 3: 6424,50 V or L Global Beam
- Command 4: 5853,00 L Global Beam
- Telemetry 1: 4198,75 V or L Global Beam
- Telemetry 2: 4198,25 V or L Global Beam
- Telemetry 3: 4197,75 V or L Global Beam
- Telemetry 4: 4197,25 V or L Global Beam
- Beacon 1: 3626,29 R Global Beam
- Beacon 2: 10951,29 R Global Beam
- Beacon 3: 11698,68 L Global Beam
- Beacon 4: 12503,37 V Global Beam
- Beacon 5: 3628,89 L Global Beam
- Beacon 6: 20198,50 R or L Global Beam

Intelsat 33e

Provisional Frequency Plan

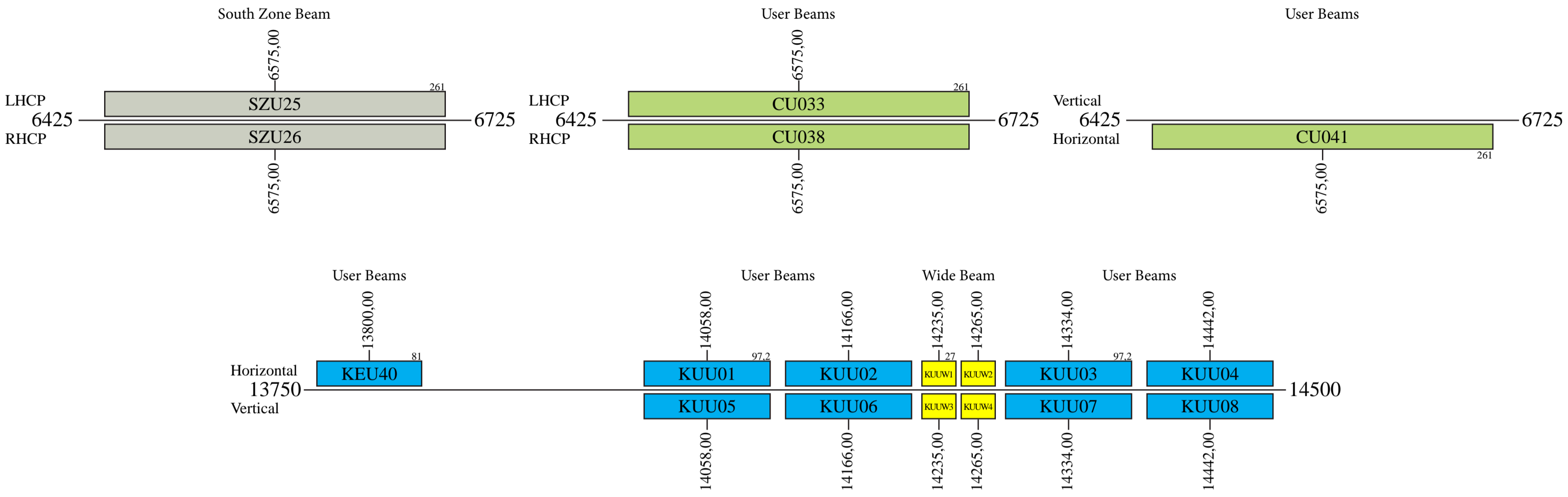
Downlink



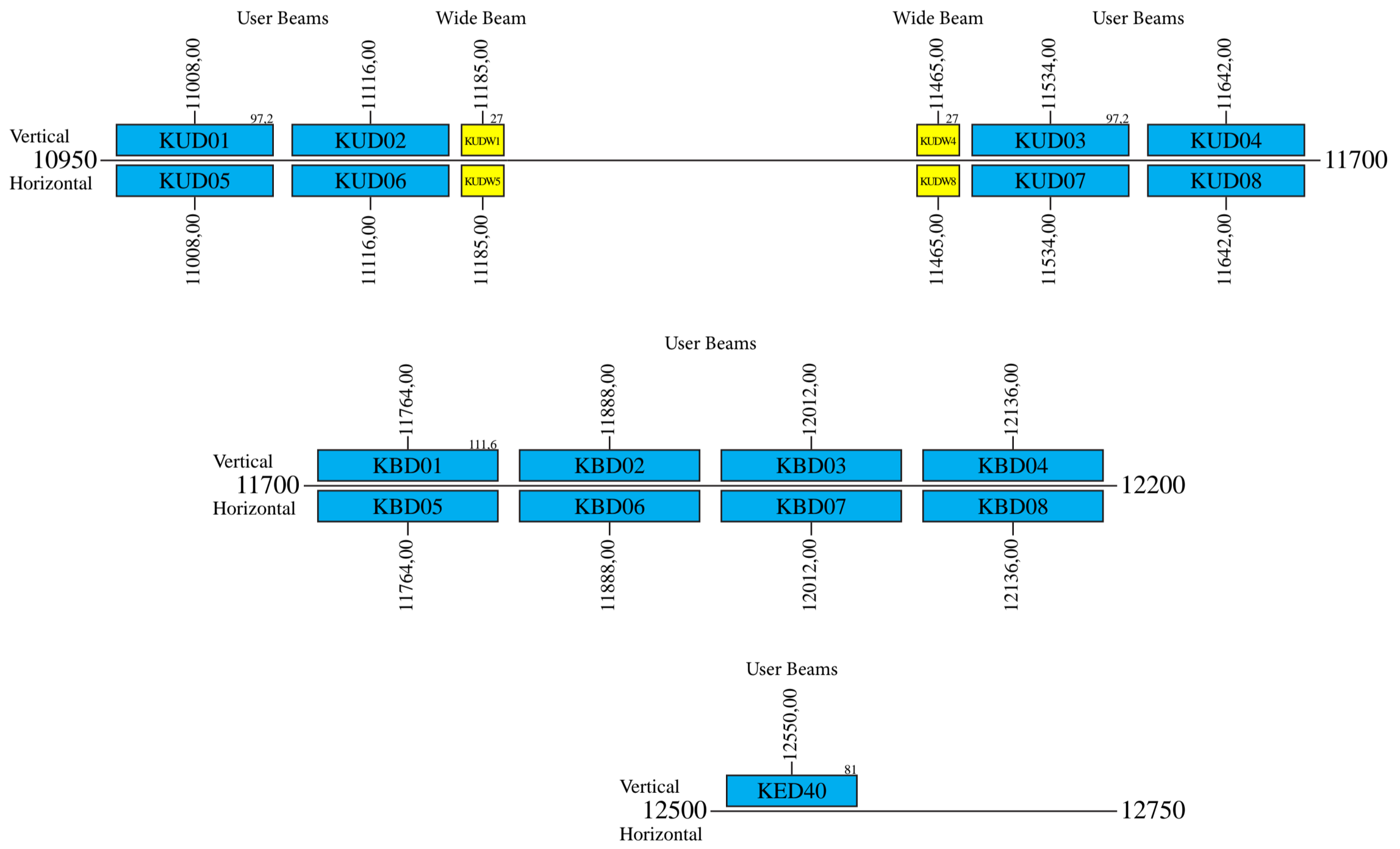
Intelsat 33e

Provisional Frequency Plan

Uplink



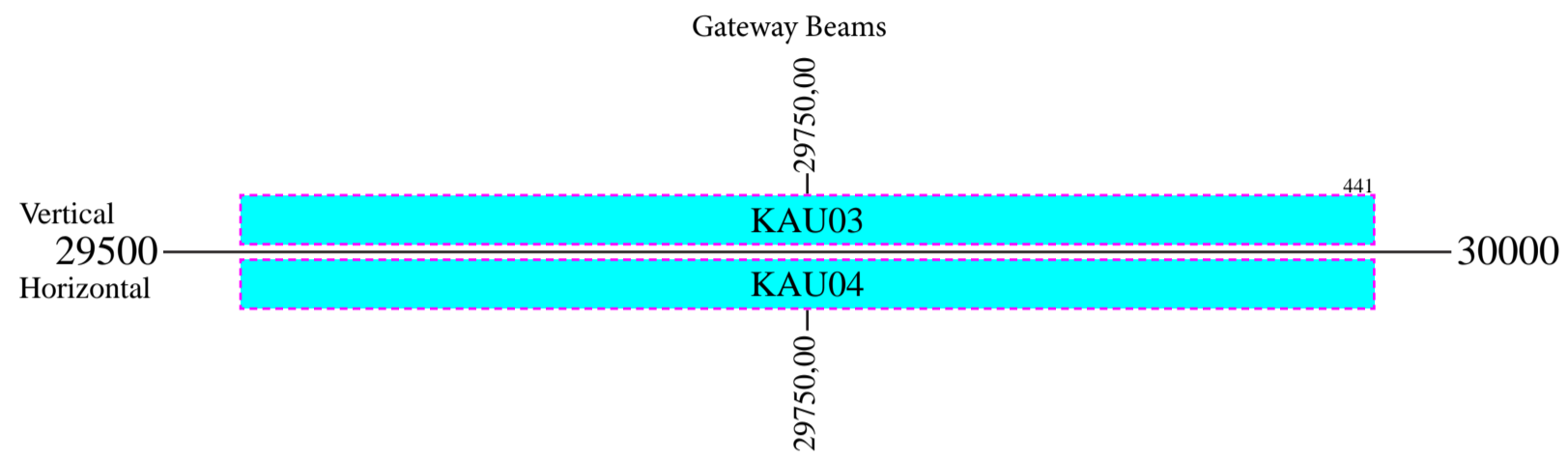
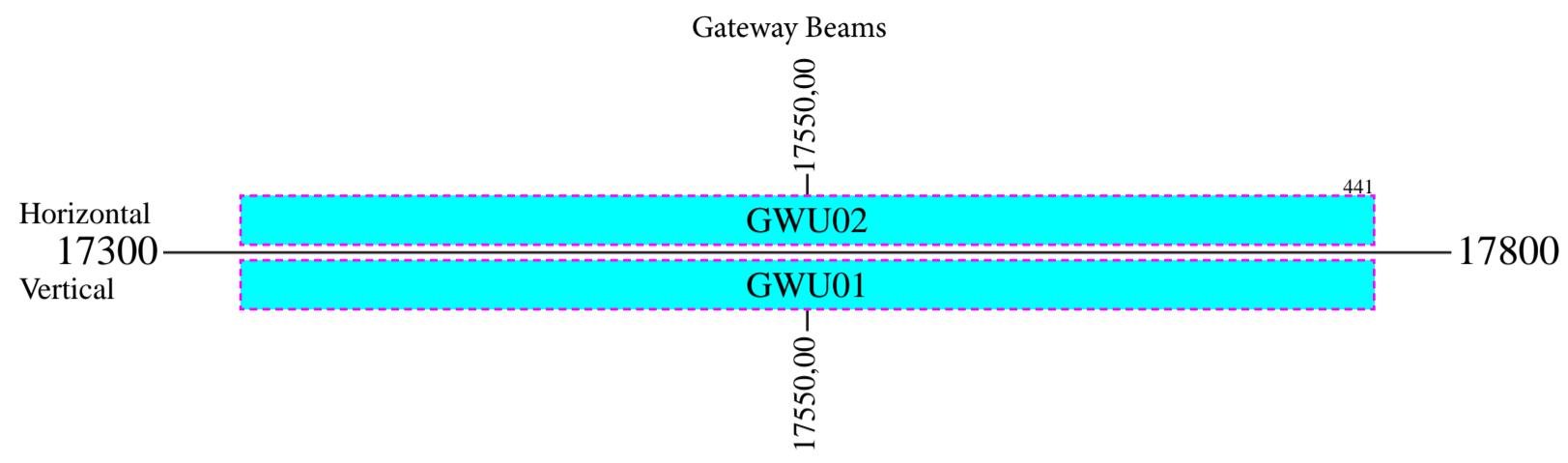
Downlink



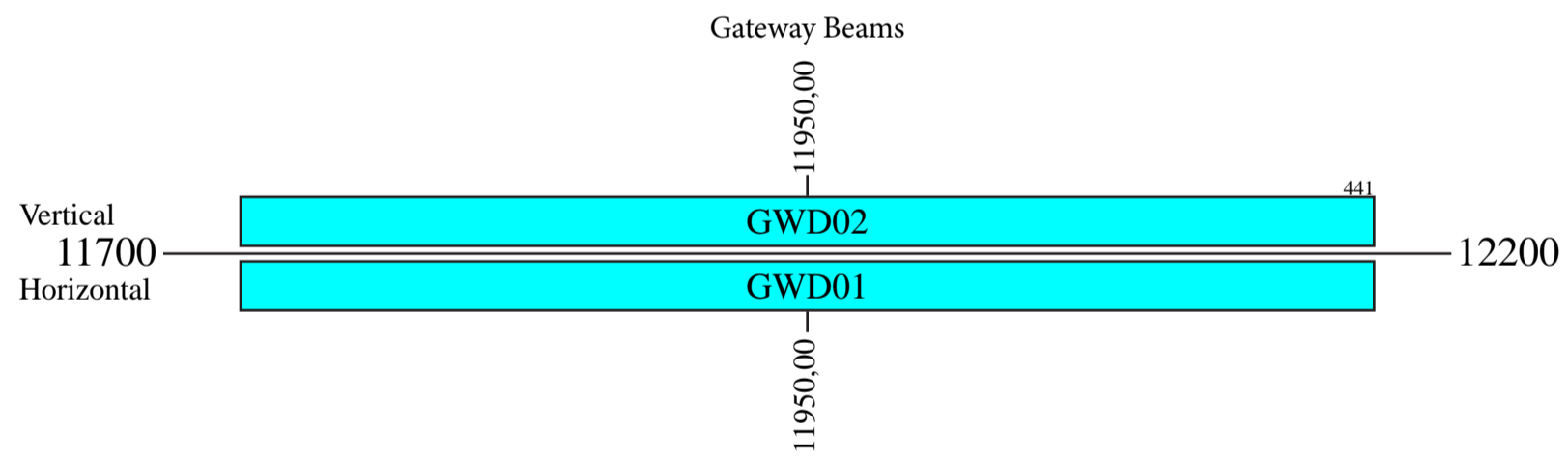
Intelsat 33e

Provisional Frequency Plan

Uplink



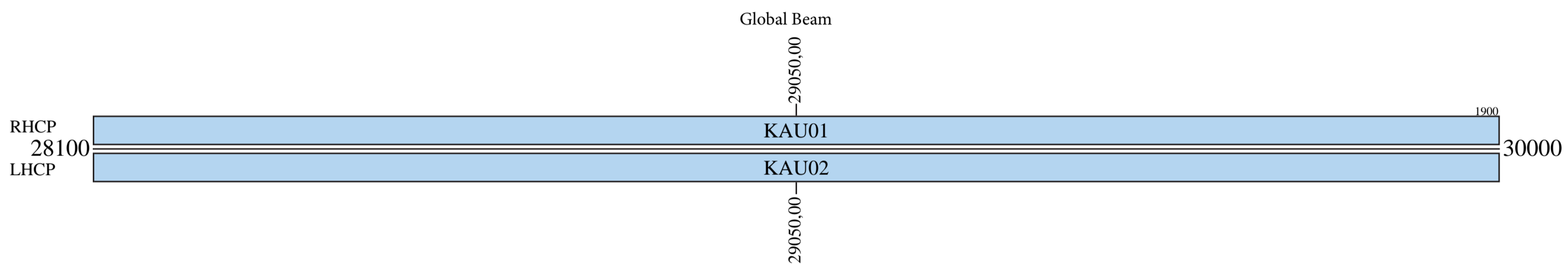
Downlink



Intelsat 33e

Provisional Frequency Plan

Uplink



Downlink

