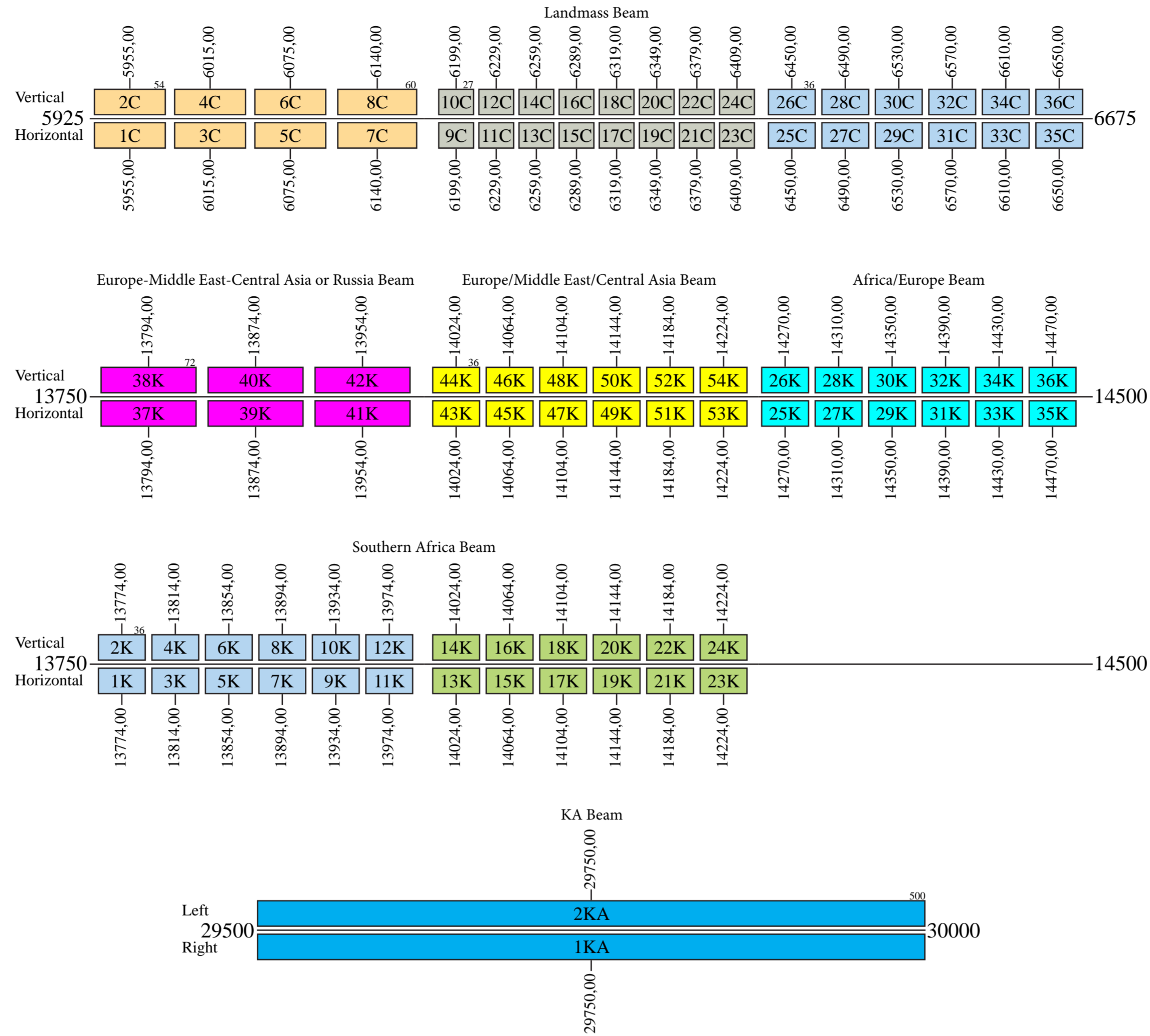


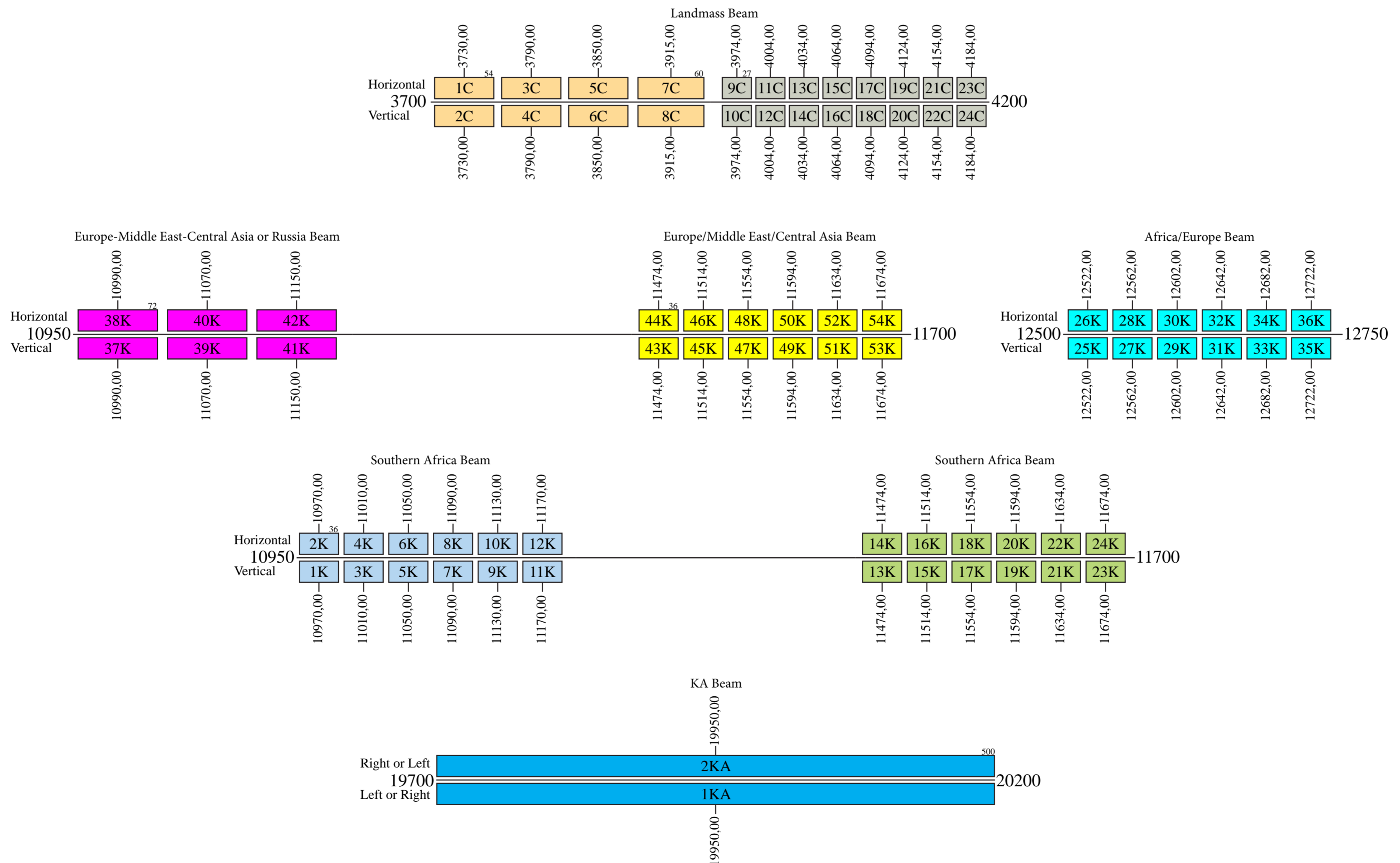
Intelsat 20

Frequency Plan

Uplink



Downlink



Note: The transponders 1C to 8C are switchable uplink polarization on channel by channel basis.
 The transponders 43K to 54K are switchable uplink polarization on channel by channel basis.
 The transponders 37K to 42K are switchable uplink and downlink, Europe-Middle East-Central Asia or Russia coverage on channel by channel basis.
 The transponders 1K to 12K are cross-connect from C-band uplink (tx C25 to C36), switchable on channel by channel basis.

Command 1: 13750,50 V Global Beam
 Command 2: 14498,00 V Global Beam
 Command 3: 13750,50 L Global Beam
 Command 4: 14498,00 L Global Beam
 Telemetry 1: 12746,50 V or L Global Beam
 Telemetry 2: 12747,00 V or L Global Beam
 Telemetry 3: 12748,00 V or L Global Beam
 Telemetry 4: 12748,50 V or L Global Beam
 Beacon 1: 3694,00 R Global Beam
 Beacon 2: 11198,00 R Global Beam
 Beacon 3: 11699,50 R Global Beam
 Beacon 4: 12749,00 R Global Beam