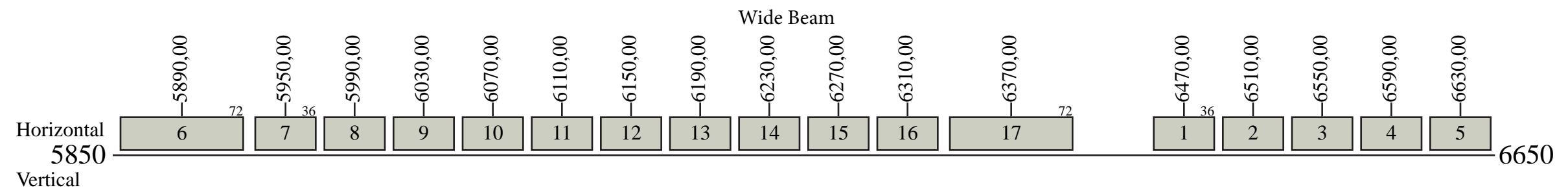


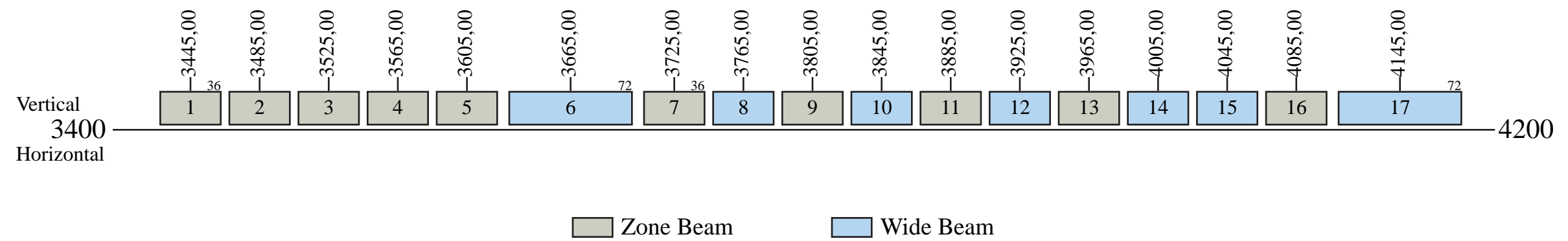
Insat 2E

Frequency Plan

Uplink



Downlink



Zone Beam Wide Beam