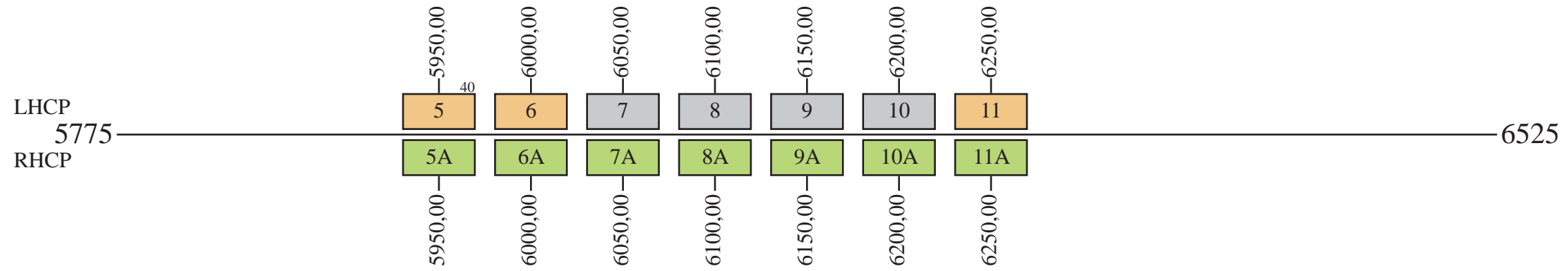


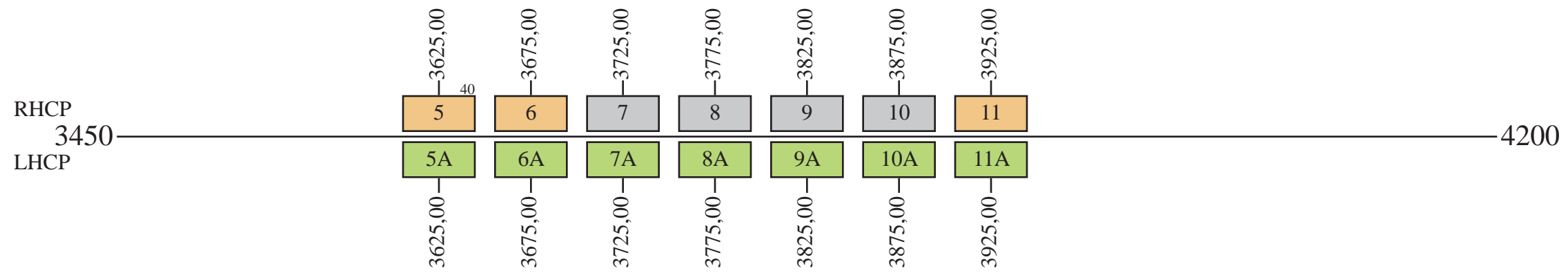
Express AM6

Frequency Plan C-Band

Uplink



Downlink



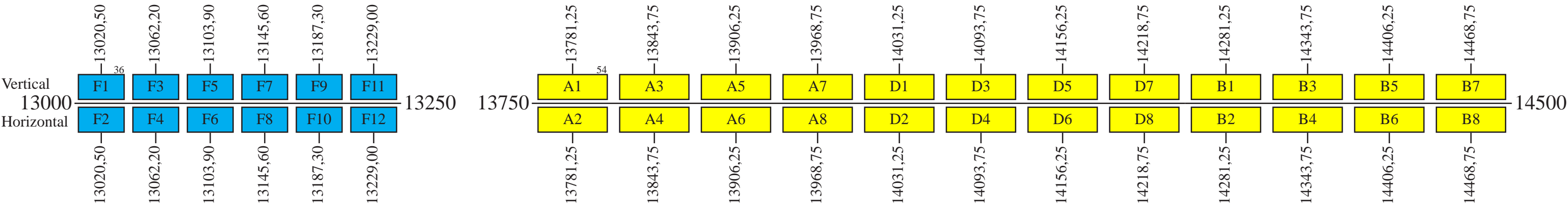
Fixed 1
 Fixed 1 or Fixed 2
 Fixed 1 or Global

Command 1: 5746,00 L Global
 Telemetry 1: 3405,00 R Global
 Beacon 1: 3850,00 R Global
 Beacon 2: 3850,50 L Global
 Beacon 3: 11199,50 R Global
 Beacon 4: 18565,00 R
 Beacon 5: 19690,00 L

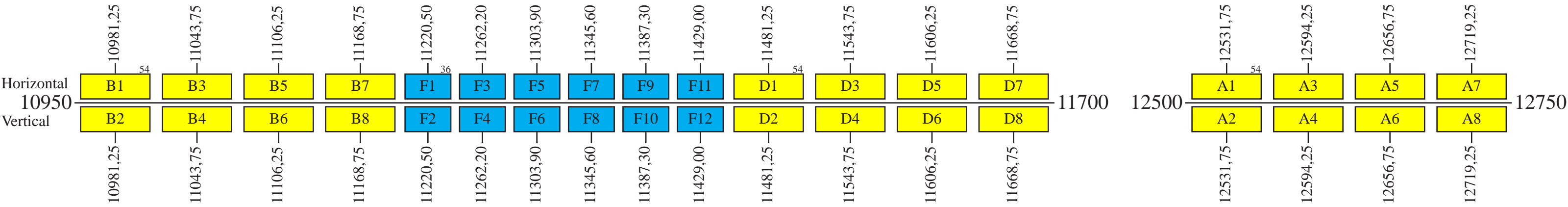
Express AM6

Frequency Plan Ku-Band

Uplink



Downlink



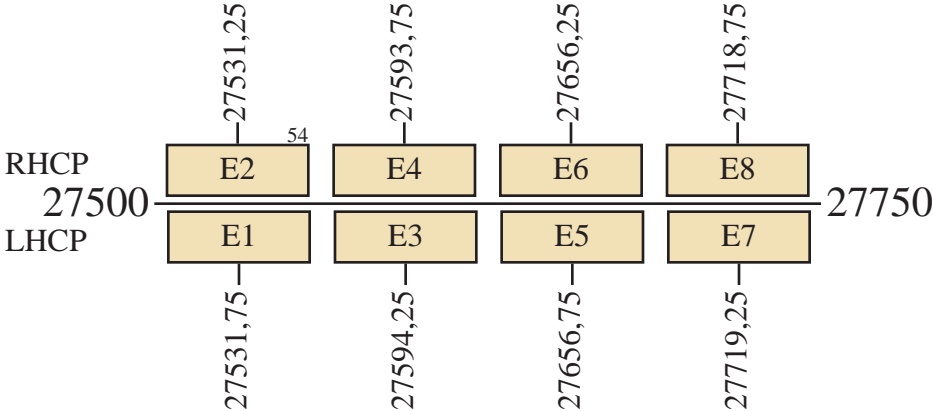
Fixed 2

Fixed 1 or Fixed 2 or Steerable 1 or Steerable 2

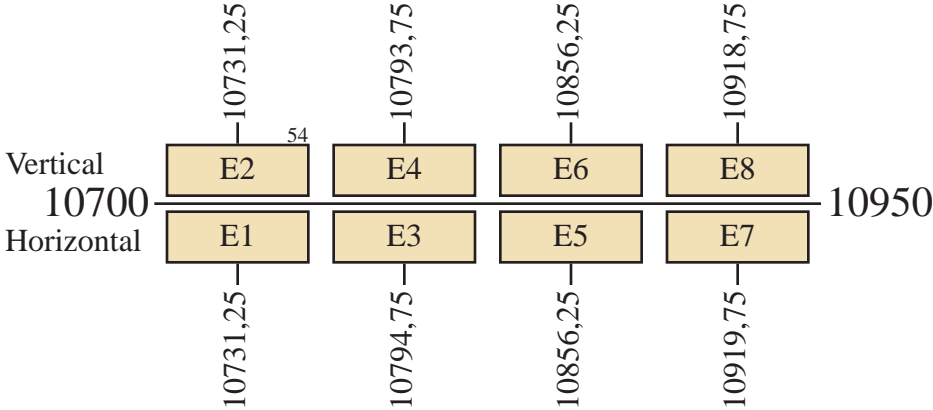
Express AM6

Frequency Plan Ka/Ku-Band

Uplink



Downlink

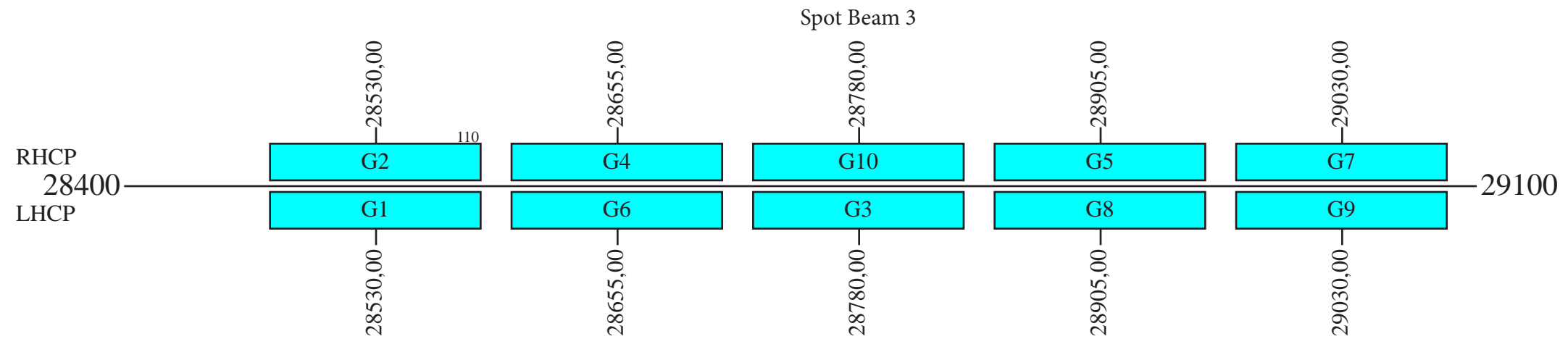


 Beam Ka to Fixed 1

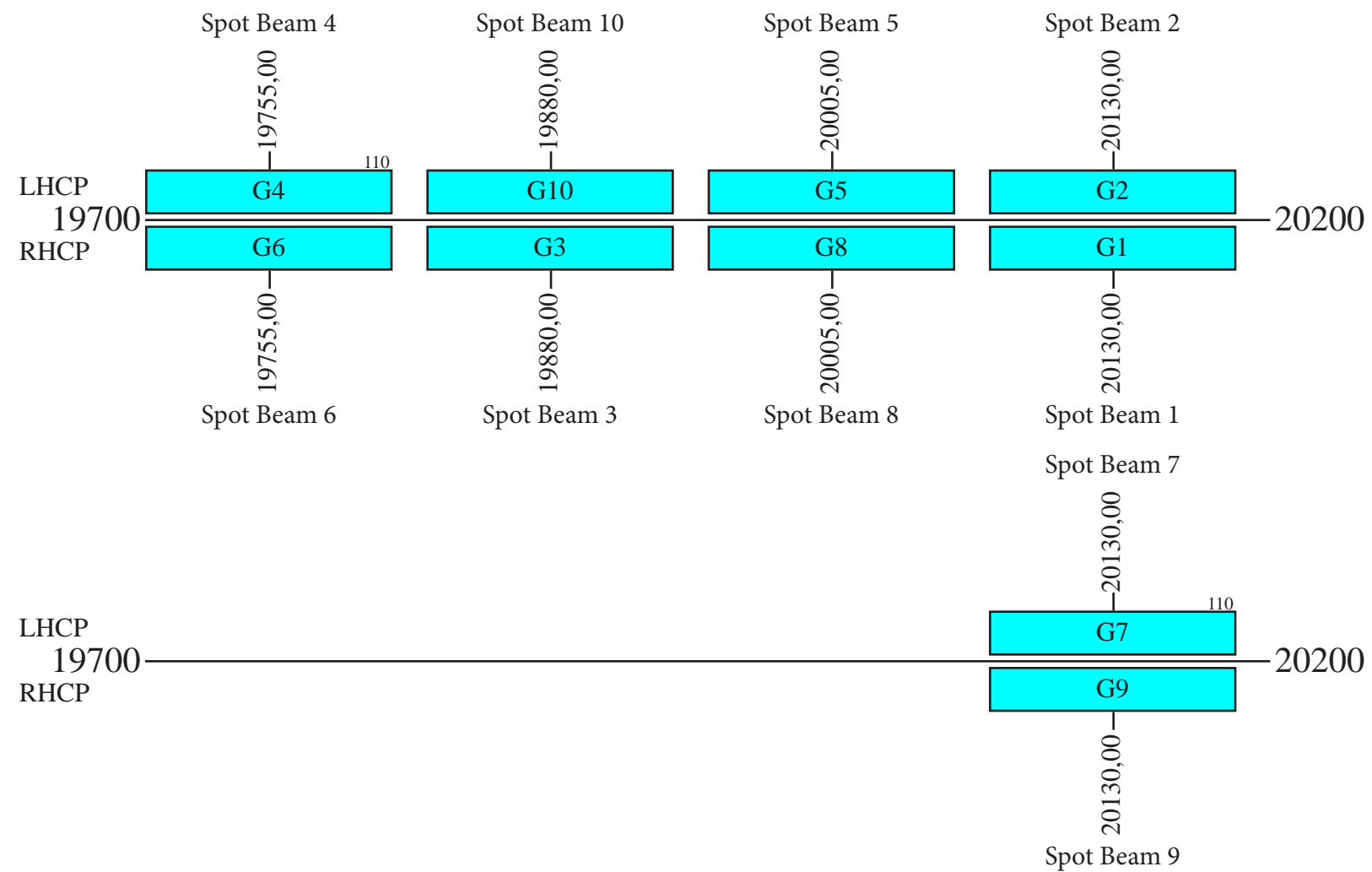
Express AM6

Frequency Plan Ka-Band Gateway

Uplink



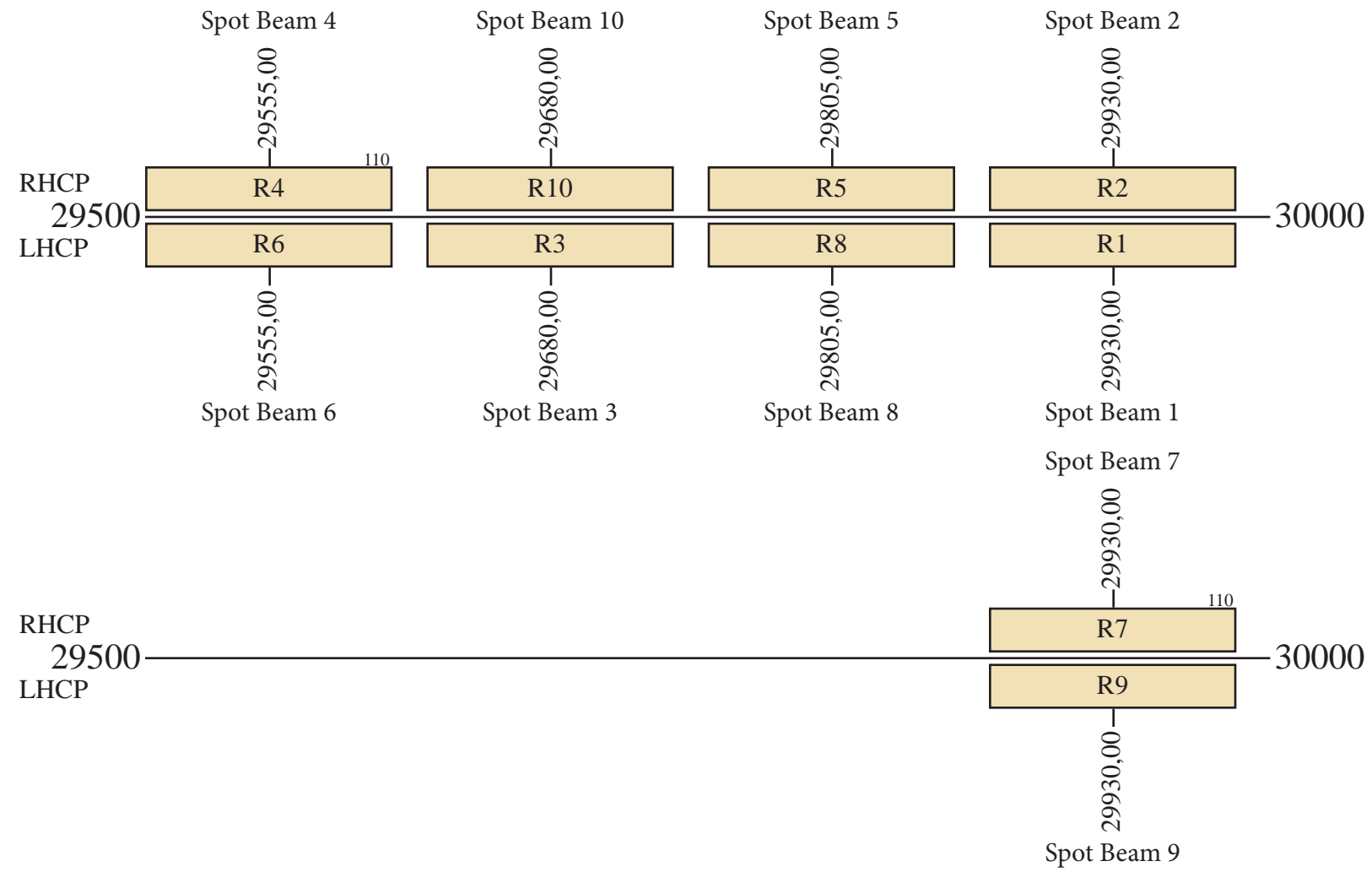
Downlink



Express AM6

Frequency Plan Ka-Band Return

Uplink



Downlink

