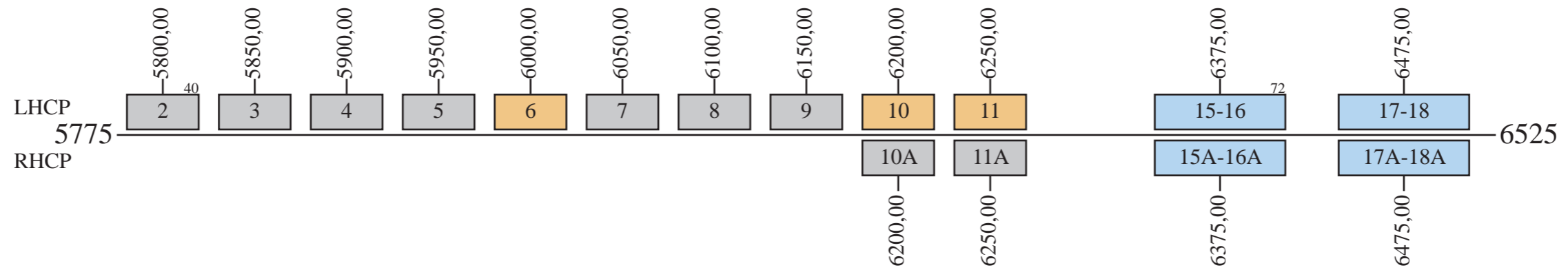


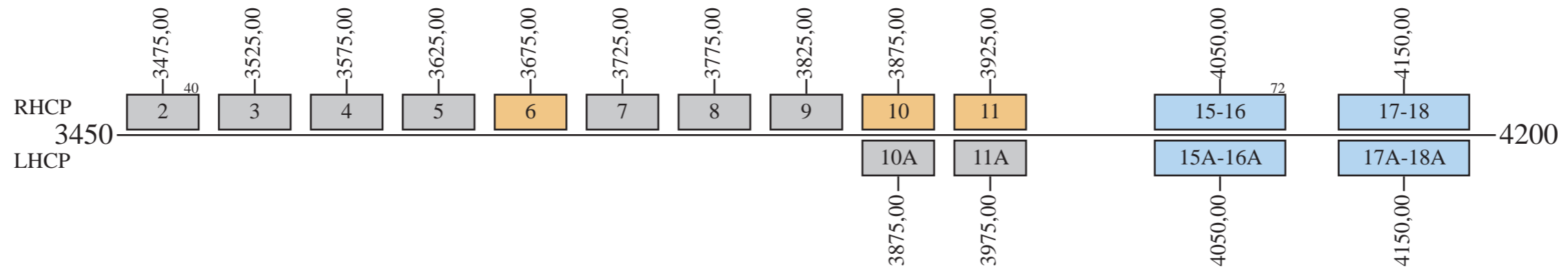
Express AM3

Frequency Plan C-Band

Uplink



Downlink



Fixed or Steerable Beam
 Fixed or Global Beam
 Fixed

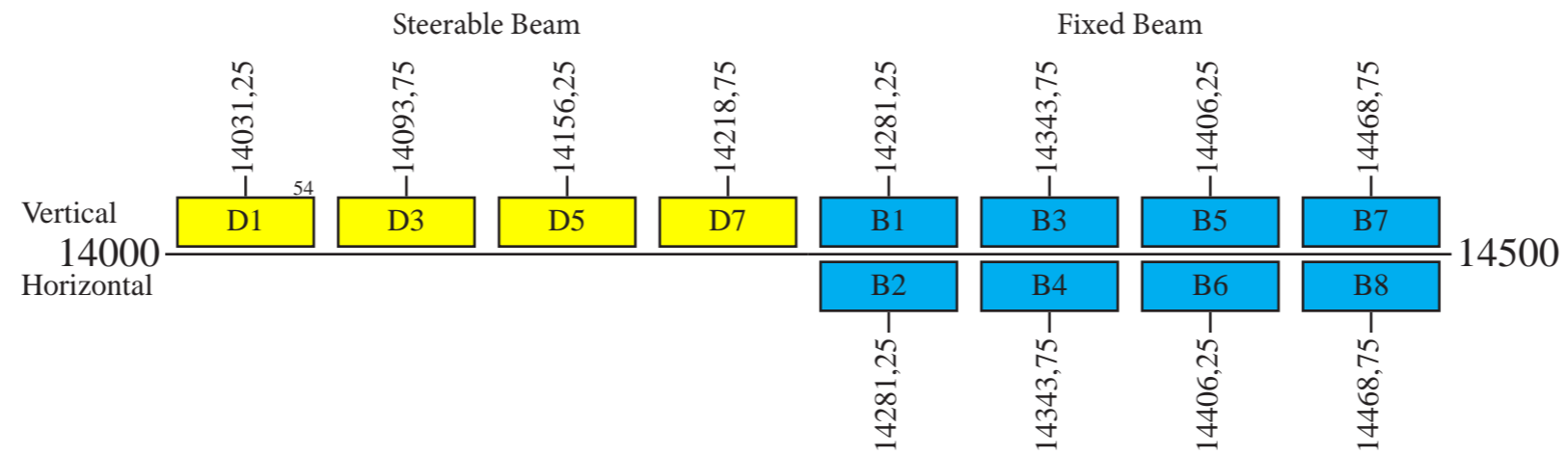
Tx 2 to 5 and 7 to 11A = 40 Watts
 Tx 6 And 15-16 to 17A-18A = 100 Watts

Beacon 1: 3800,00 R Global
 Beacon 2: 11200,00 R Global

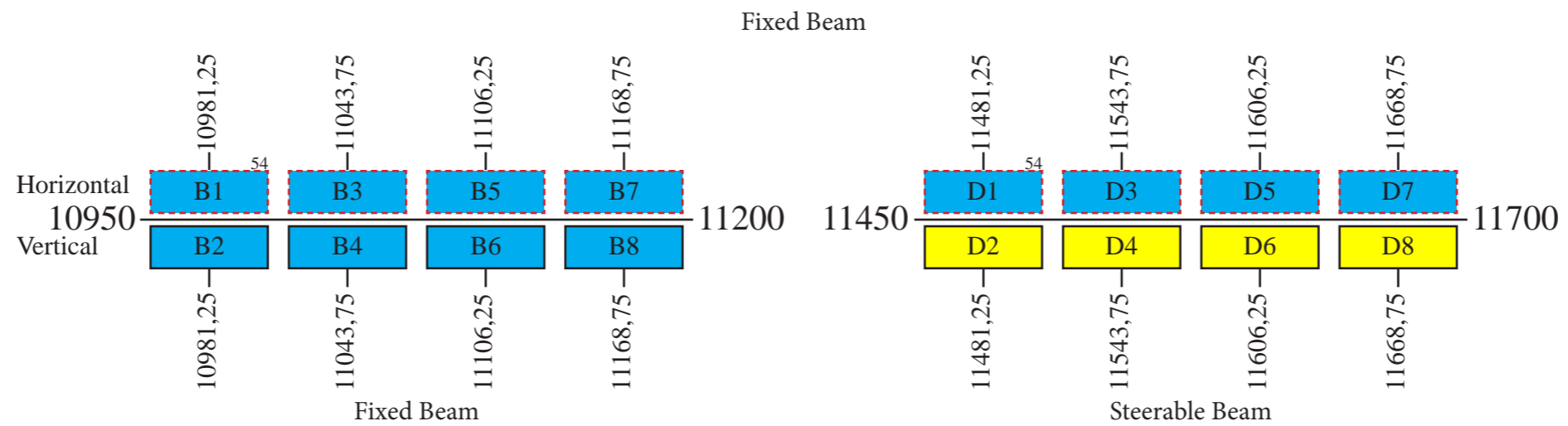
Express AM3

Frequency Plan Ku-Band

Uplink



Downlink



 Switchable between B or D