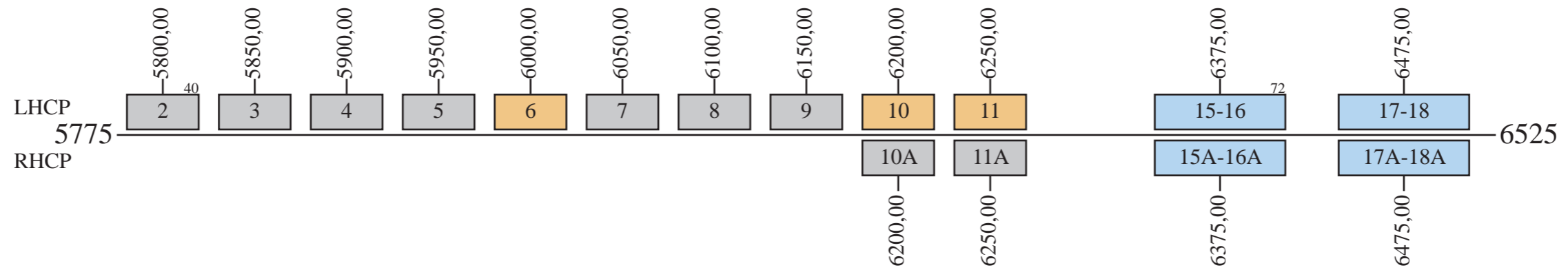


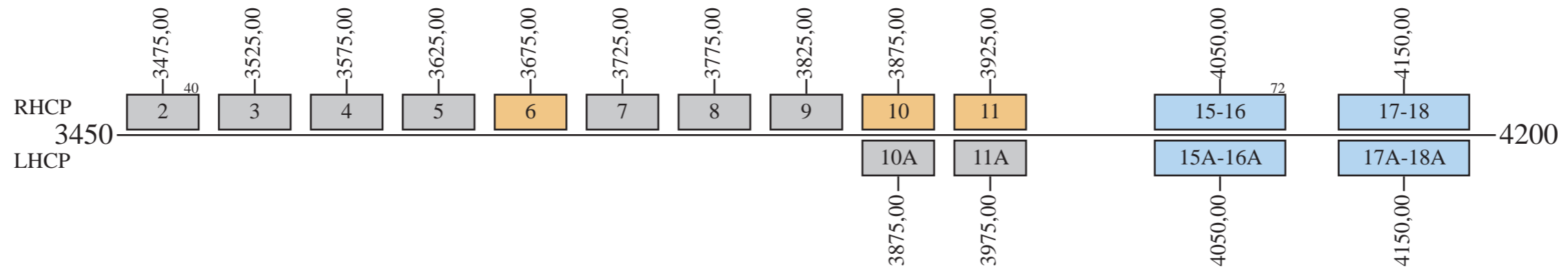
# Express AM2

## Frequency Plan C-Band

### Uplink



### Downlink



Fixed or Steerable Beam
  Fixed or Global Beam
  Fixed

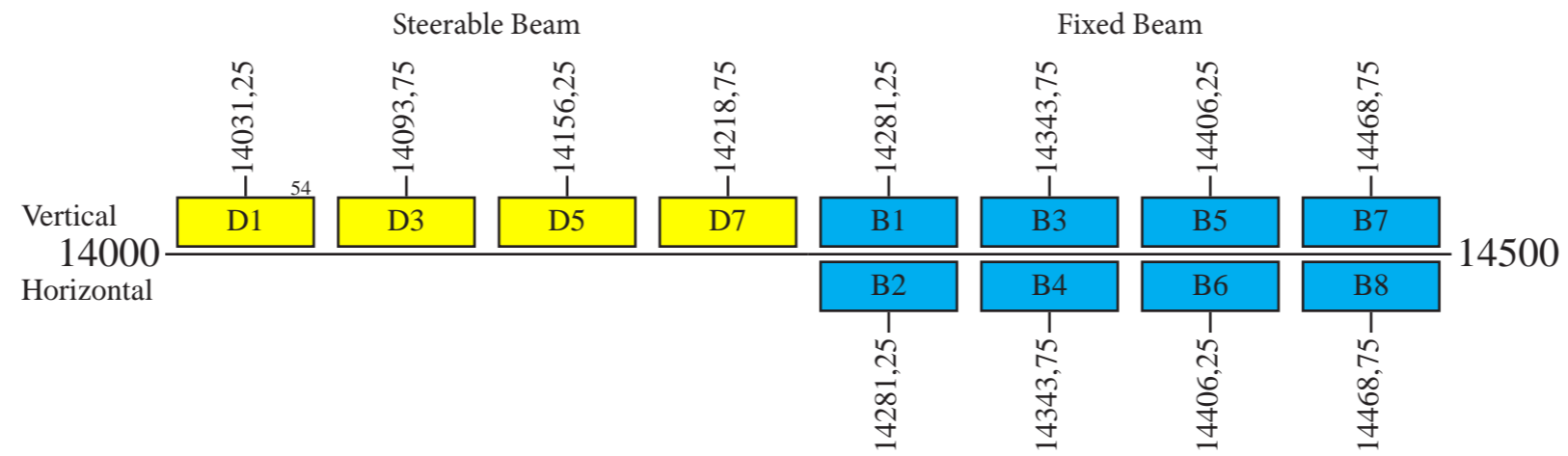
Tx 2 to 5 and 7 to 11A = 40 Watts  
 Tx 6 And 15-16 to 17A-18A = 100 Watts

Beacon 1: 3800,00 R Global  
 Beacon 2: 11200,00 R Global

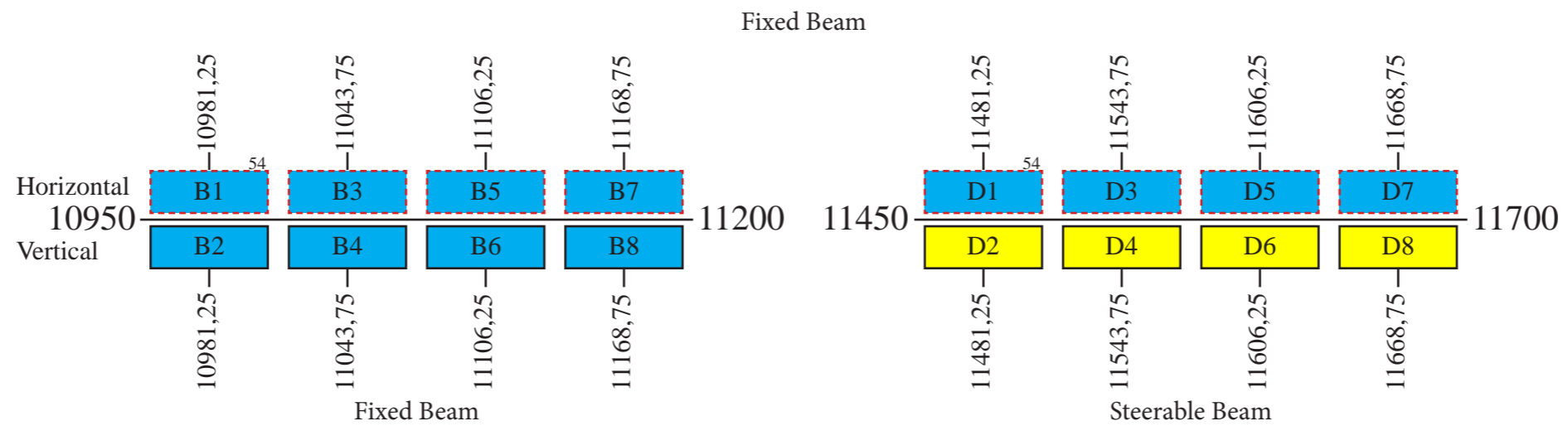
# Express AM2

## Frequency Plan Ku-Band

### Uplink



### Downlink



  Switchable between B or D