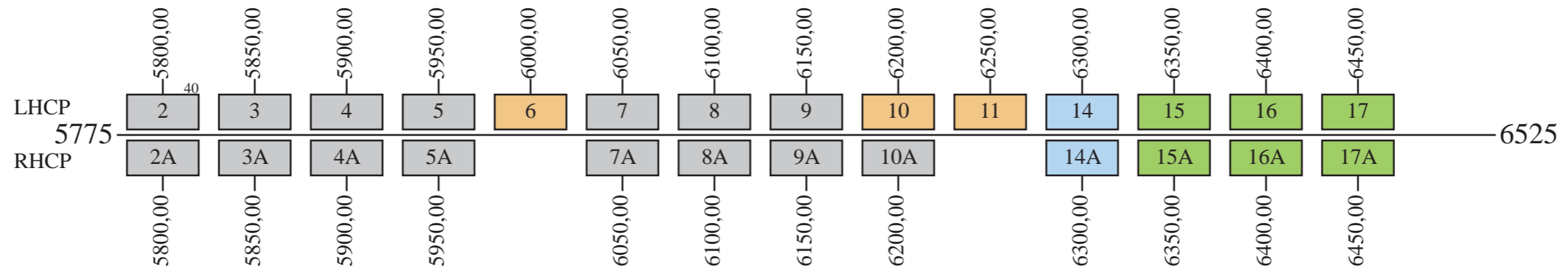


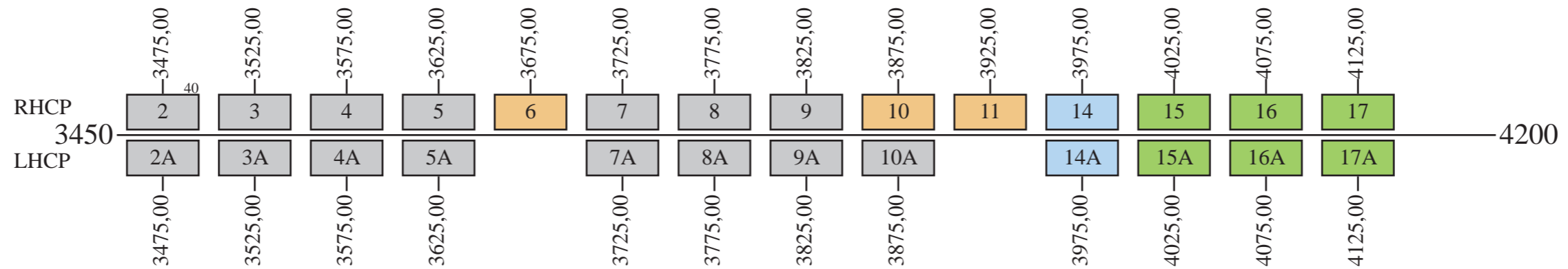
Express AM11

Frequency Plan C-Band

Uplink



Downlink



Fixed or Steerable Beam
 Fixed or Global Beam
 Fixed Beam
 Steerable Beam

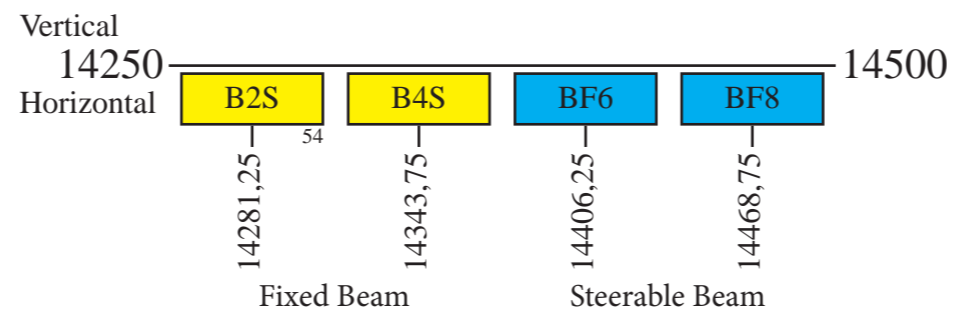
Tx 2 to 5A,7 and 7A = 40 Watts
 Tx 6 = 110 Watts
 Tx 8 to 17A = 70 Watts

Beacon 1: 3800,00 R Global
 Beacon 2: 11200,00 R Global

Express AM11

Frequency Plan Ku-Band

Uplink



Downlink

