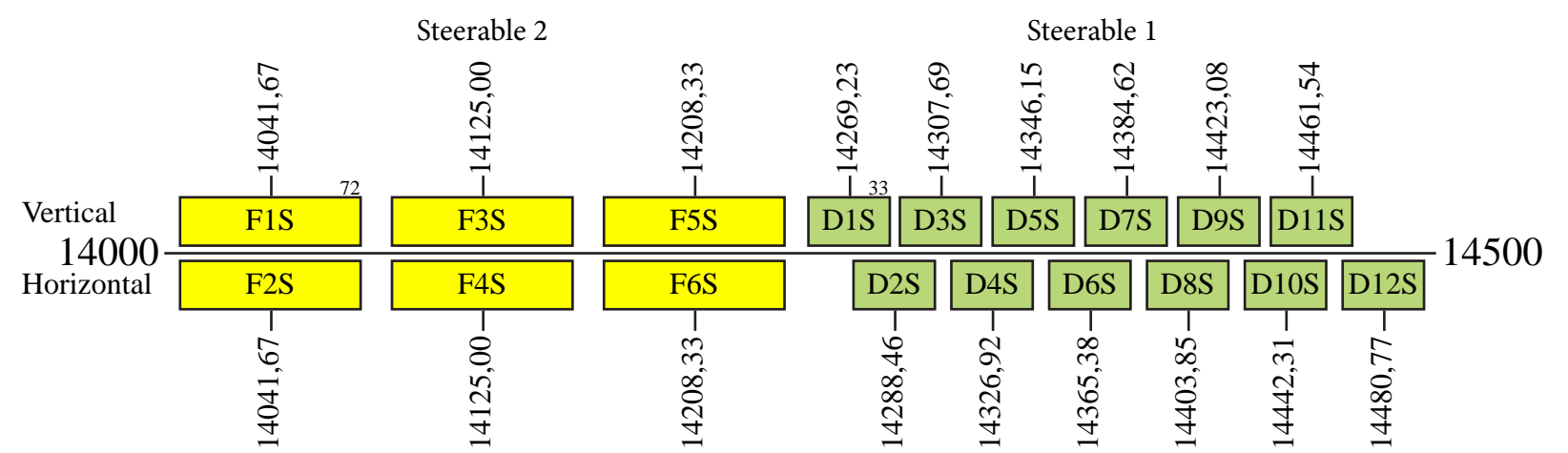
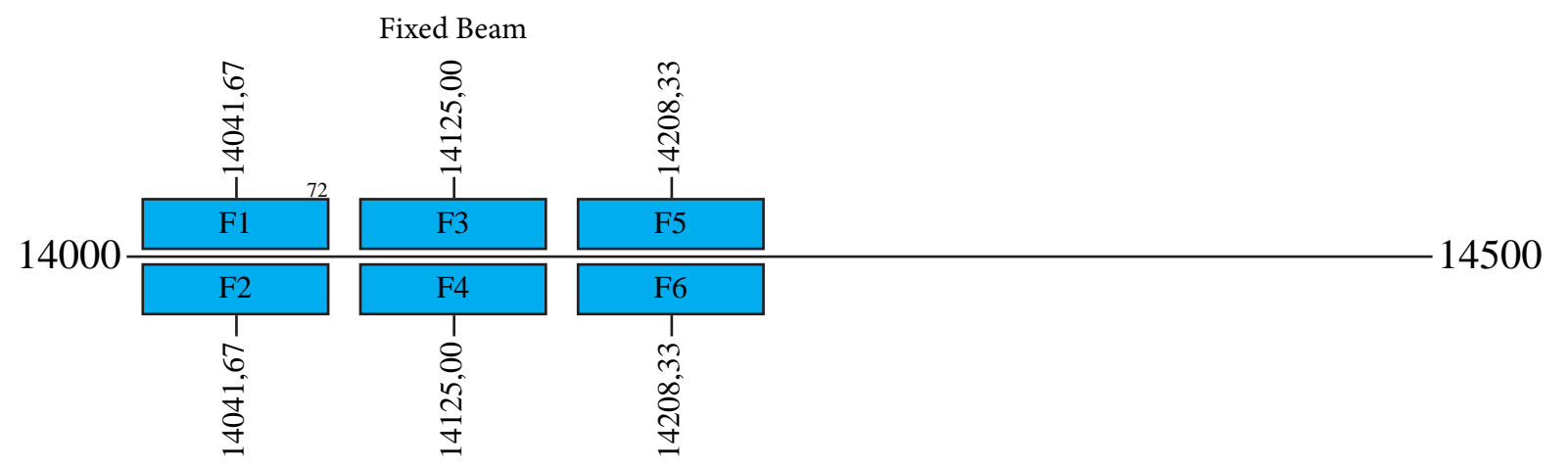
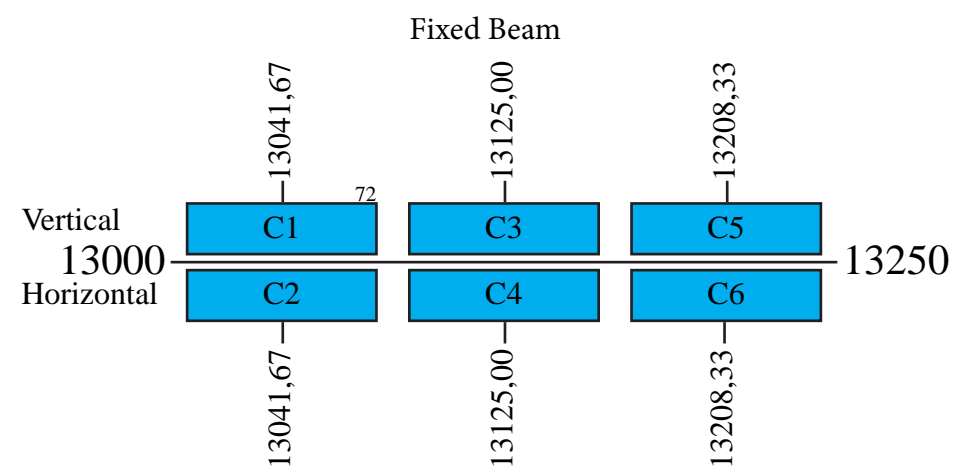


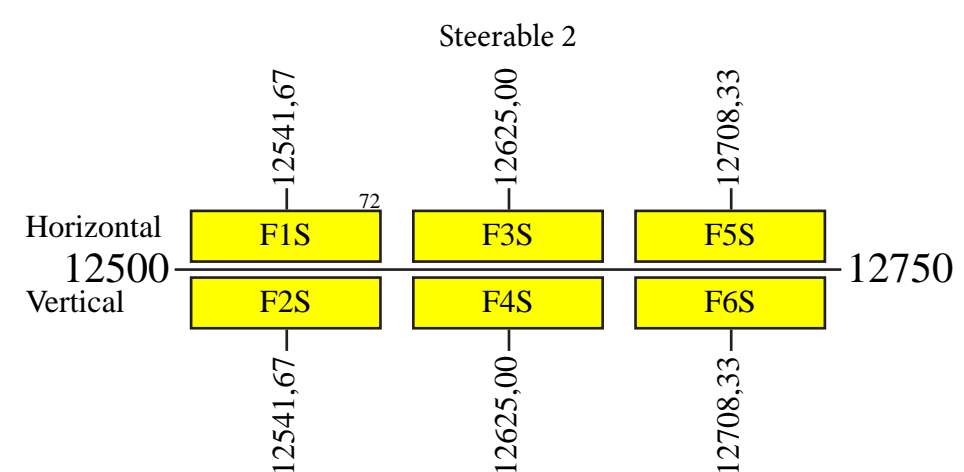
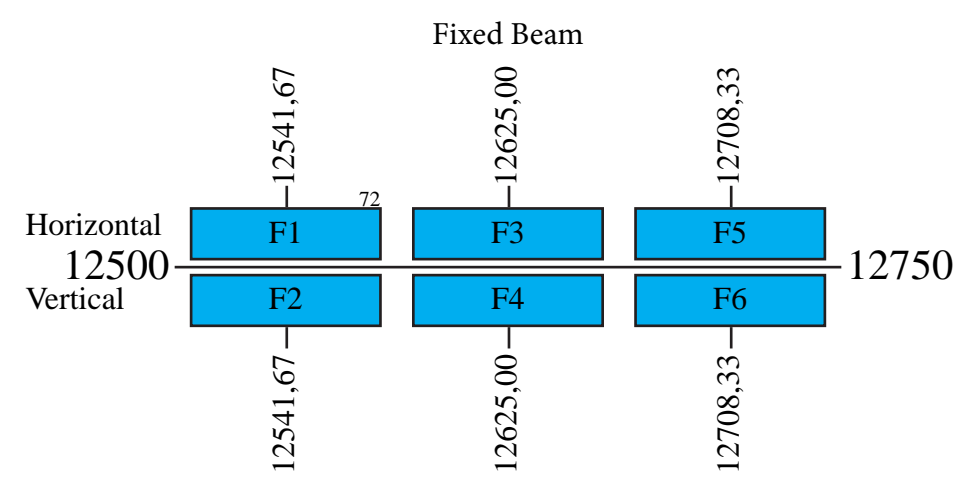
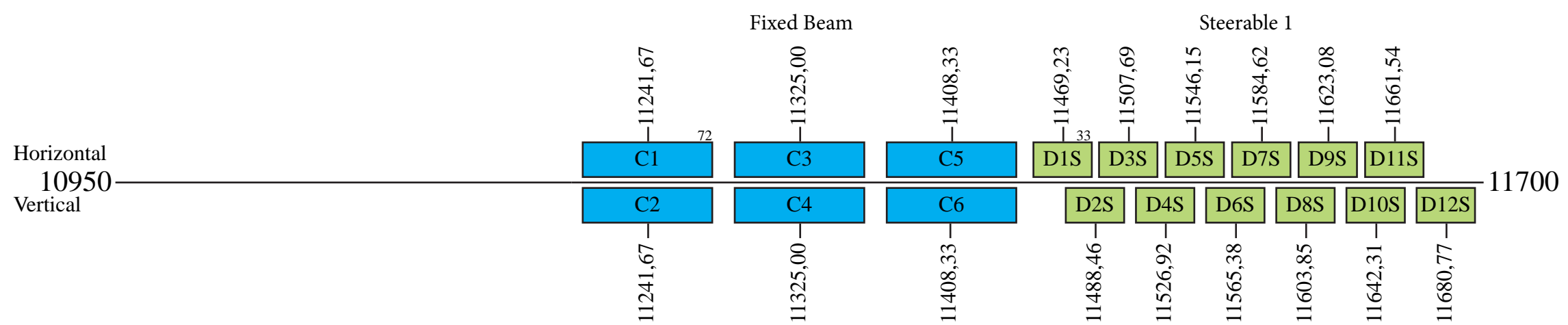
# Eutelsat 28A

## Frequency Plan Conf. A

### Uplink



### Downlink



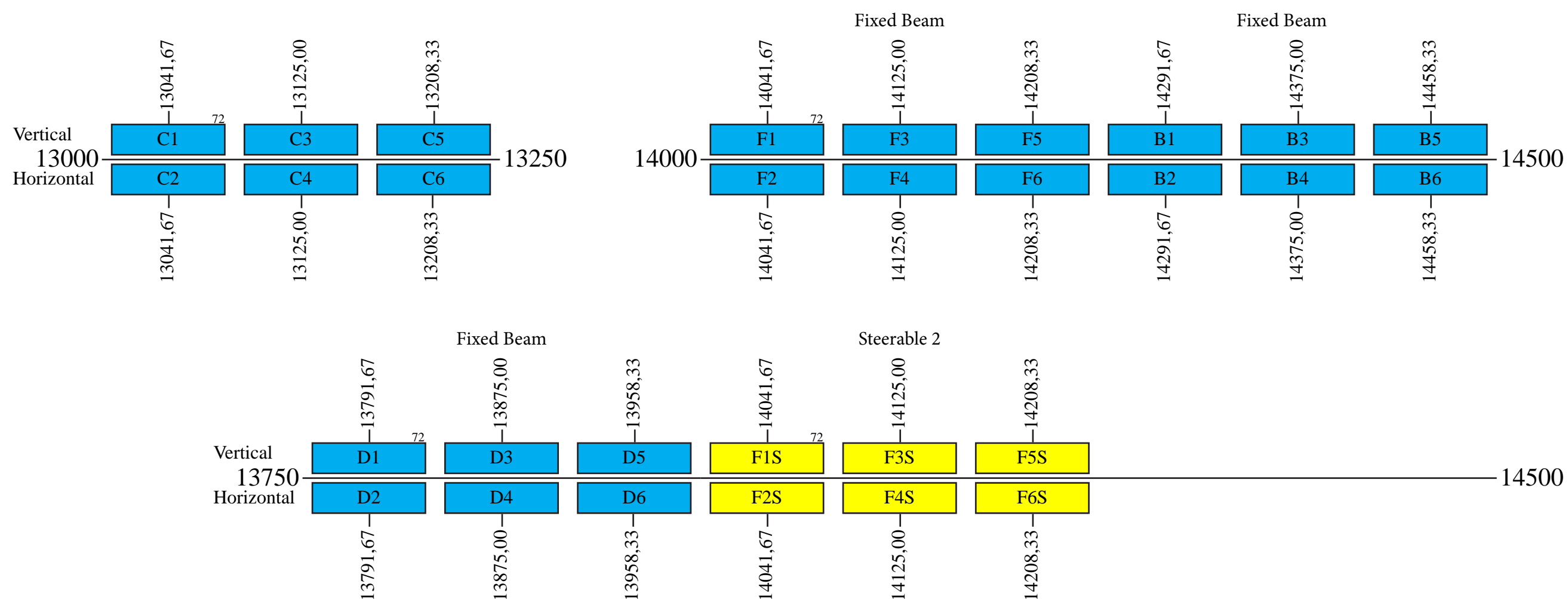
Note: Only one channel group from each of the following pairs can be operated at any one time (F1,F3,F5)/(F1S,F3S,F5S), (F2,F4,F6)/(F2S,F4S,F6S).

Beacon 1a: 11451,091 H  
Beacon 1b: 11452,570 H  
Beacon 2: 12501,000 H  
Beacon 3: 11200,000 H

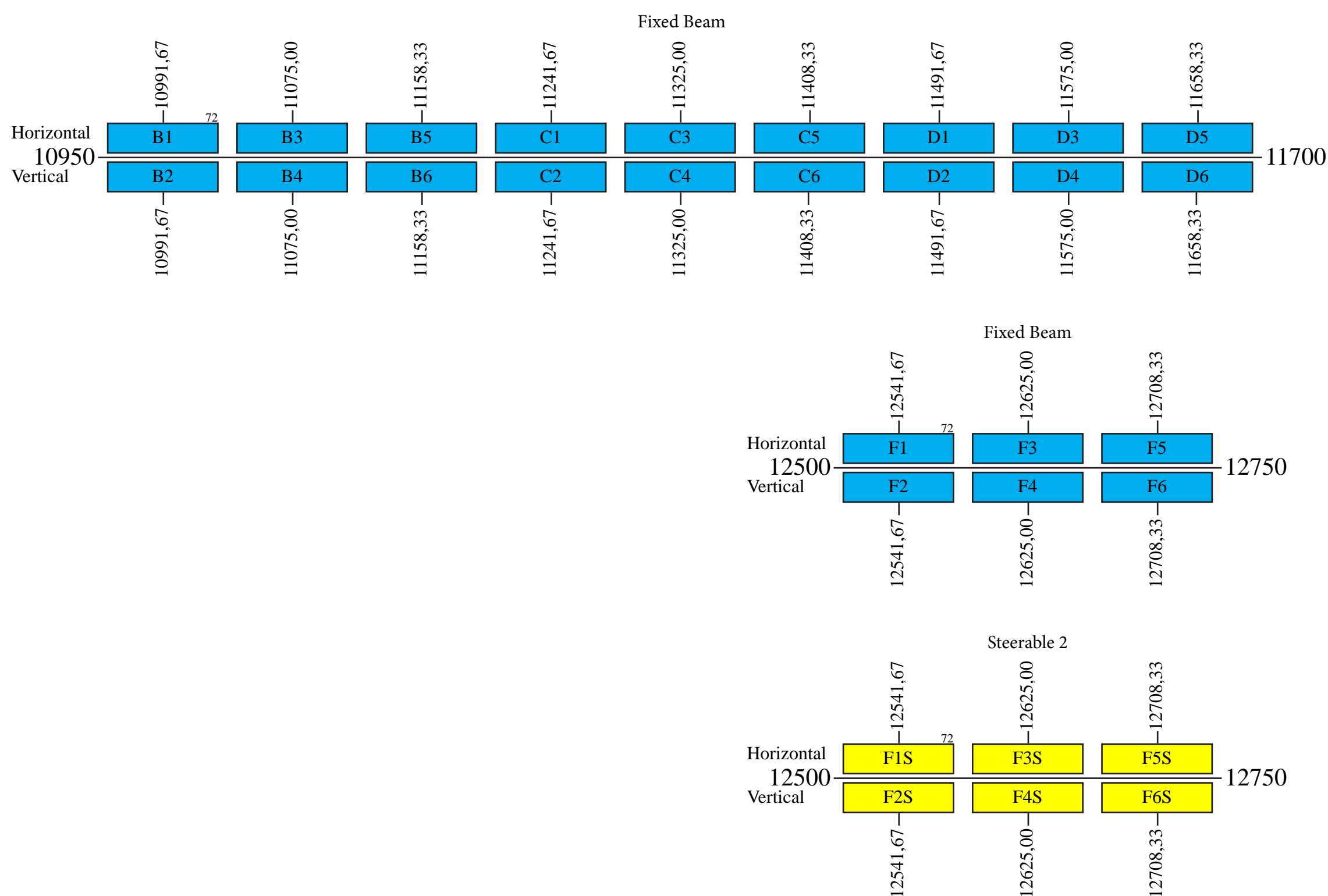
# Eutelsat 28A

## Frequency Plan Conf. B

### Uplink



### Downlink



The following channels shall be operated on a mutually exclusive basis: B1 or D1S, B2 or D2S, B3 or D3S, B4 or D4S, B5 or D5S, B6 or D6S, D1 or D7S, D2 or D8S, D3 or D9S, D4 or D10S, D5 or D11S, D6 or D12S.