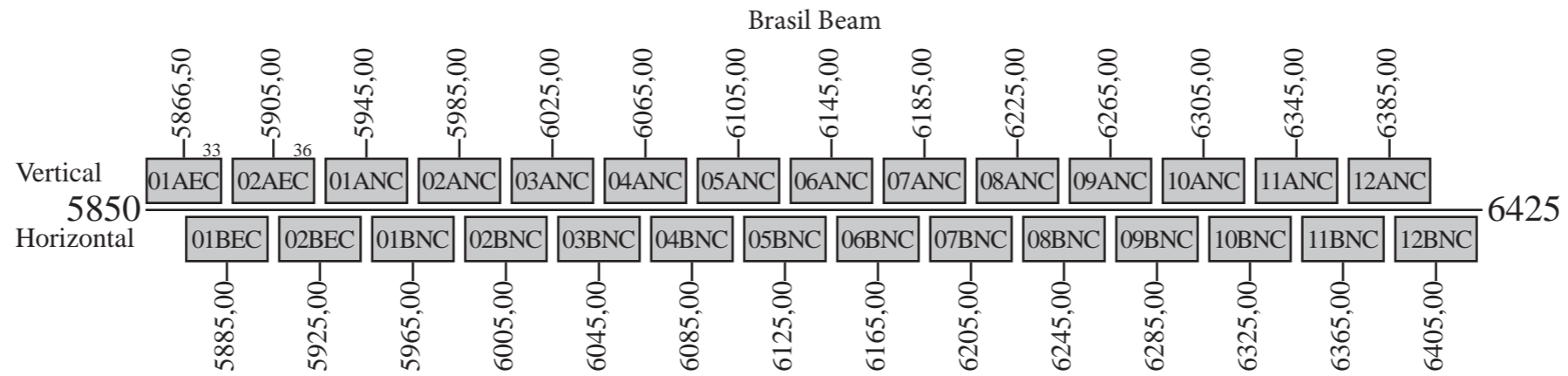


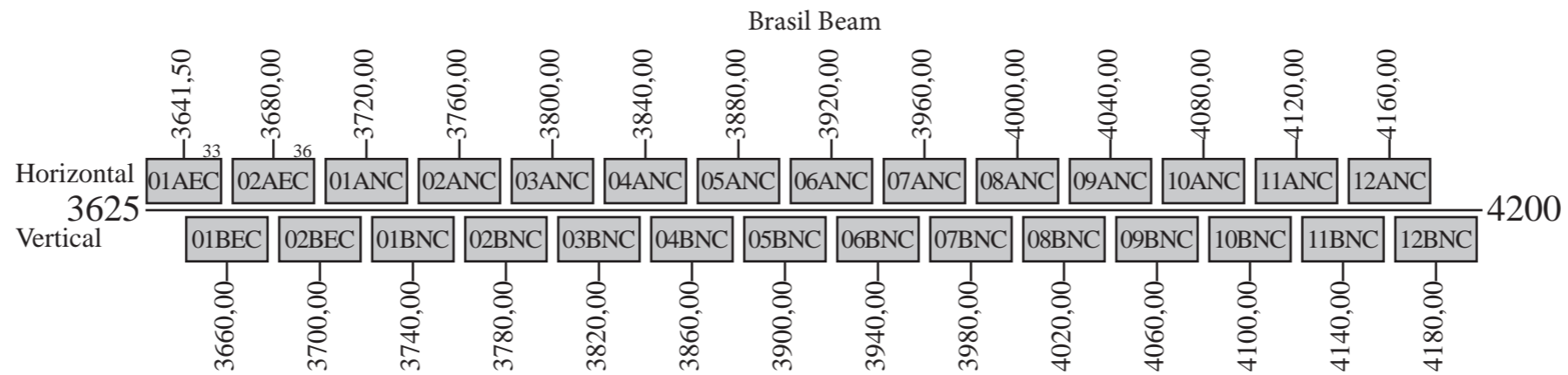
Star One C2

Frequency Plan C-Band

Uplink



Downlink

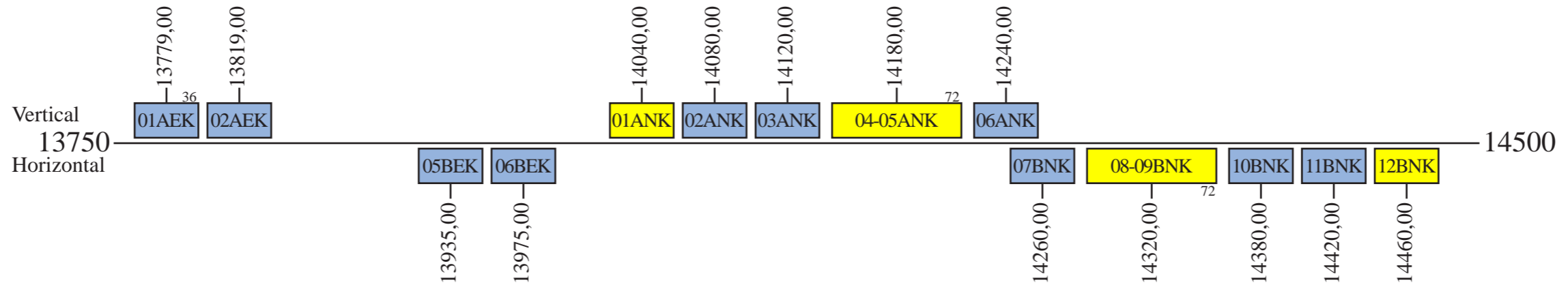


- Command 1a: 6424,50 L or R Omni Beam
- Command 1b: 6424,50 V Brasil Uplink Beam
- Telemetry 1a: 4199,00 L or R Omni Beam
- Telemetry 1b: 4199,00 H Brasil Downlink Beam
- Telemetry 2a: 4199,90 L or R Omni Beam
- Telemetry 2b: 4199,90 H Brasil Downlink Beam
- Beacon 1: 11700,50 H Global Beam
- Beacon 2: 12199,30 V Global Beam

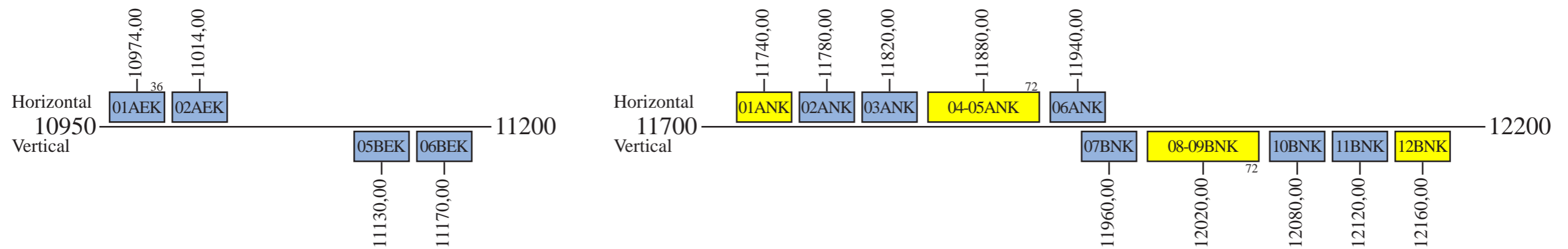
Star One C2

Frequency Plan Ku-Band

Uplink



Downlink



- Brasil Beam
- Brasil or North America Beam