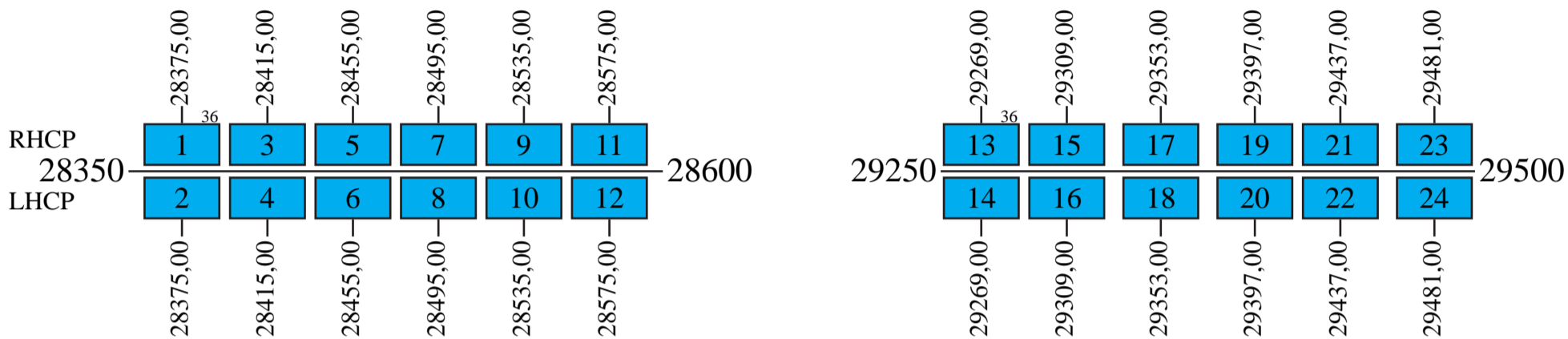


# DirecTV 11

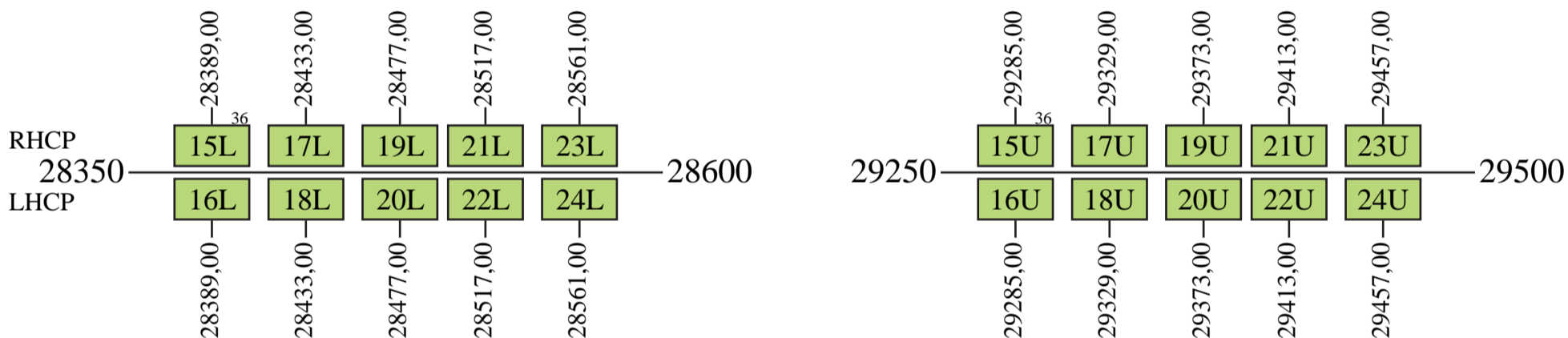
## Frequency Plan

### Uplink

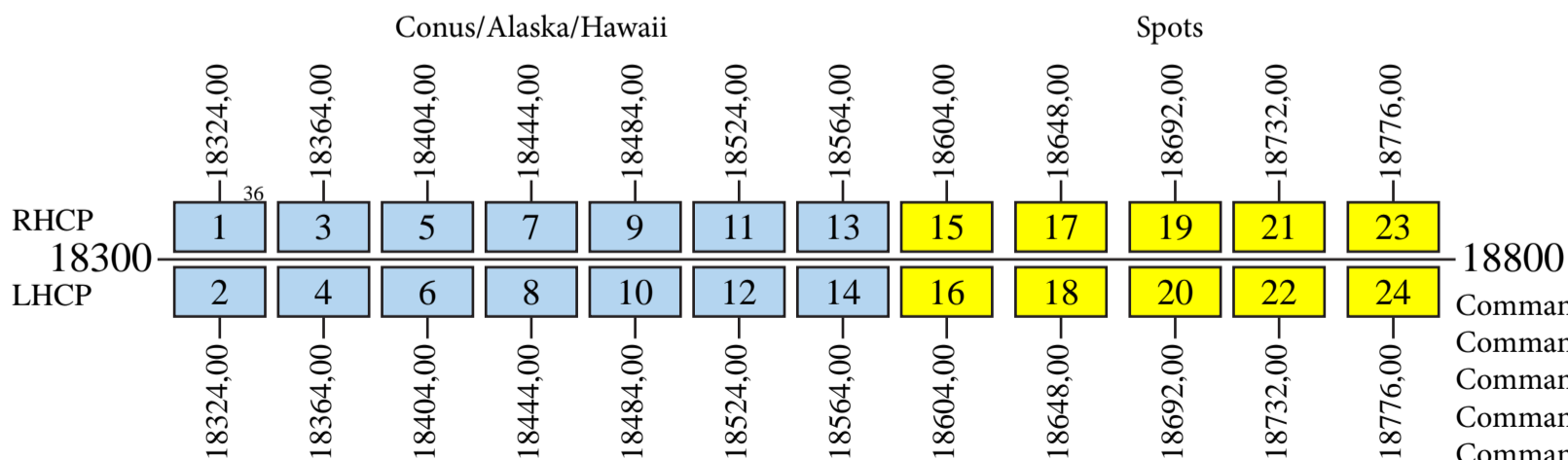
Site 1



Site 2, Site 3, Site 4, Site 5, Site 6



### Downlink



- Command 1a: 29493,00 L
- Command 1b: 29251,00 L
- Command 2a: 29495,00 L
- Command 2b: 29253,00 L
- Command 3a: 29497,00 L
- Command 3b: 29255,00 L
- Telemetry 1a: 18300,25 L
- Telemetry 1b: 18300,75 L
- Telemetry 2a: 18301,25 L
- Telemetry 2b: 18301,75 L
- Telemetry 3a: 18302,25 L
- Telemetry 3b: 18302,75 L

Spot Beam Interconnectivity					
U/L Site	U/L Ch	U/L Pol	D/L Beam	D/L Ch	D/L Pol
S2	16L	L	A1	16	L
S2	19L	R	A1	19	R
S2	20L	L	A1	20	L
S3	16L	L	A2	16	L
S3	19L	R	A2	19	R
S3	20L	L	A2	20	L
S4	16L	L	A3	16	L
S4	19L	R	A3	19	R
S4	20L	L	A3	20	L
S5	16L	L	A4	16	L
S5	19L	R	A4	19	R
S5	20L	L	A4	20	L
S6	16L	L	A5	16	L
S6	19L	R	A5	19	R
S6	20L	L	A5	20	L
S2	16U	L	A6	16	L
S2	19U	R	A6	19	R
S2	20U	L	A6	20	L
S3	16U	L	A7	16	L
S3	19U	R	A7	19	R
S3	20U	L	A7	20	L
S3	16L	L	A8	16	L
S3	19L	R	A8	19	R
S3	20L	L	A8	20	L
S4	16U	L	A9	16	L
S4	19U	R	A9	19	R
S4	20U	L	A9	20	L
S5	16U	L	A10	16	L
S5	19U	R	A10	19	R
S5	20U	L	A10	20	L
S6	16U	L	A11	16	L
S6	19U	R	A11	19	R
S6	20U	L	A11	20	L
S1	16	L	A12	16	L
S1	19	R	A12	19	R
S1	20	L	A12	20	L
S2	15L	R	B1	15	R
S2	23L	R	B1	23	R
S2	24L	L	B1	24	L
S3	15L	R	B2	15	R
S3	23L	R	B2	23	R
S3	24L	L	B2	24	L
S3	15L	R	B3	15	R
S3	23L	R	B3	23	R
S3	24L	L	B3	24	L
S5	15L	R	B4	15	R
S5	23L	R	B4	23	R
S5	24L	L	B4	24	L
S2	15U	R	B5	15	R
S2	23U	R	B5	23	R
S2	24U	L	B5	24	L
S6	15L	R	B6	15	R
S6	23L	R	B6	23	R
S6	24L	L	B6	24	L
S2	15U	R	B7	15	R
S2	23U	R	B7	23	R
S2	24U	L	B7	24	L
S4	15L	R	B8	15	R
S4	23L	R	B8	23	R
S4	24L	L	B8	24	L
S4	15U	R	B9	15	R
S4	23U	R	B9	23	R
S4	24U	L	B9	24	L
S6	15U	R	B10	15	R
S6	23U	R	B10	23	R
S6	24U	L	B10	24	L
S5	15U	R	B11	15	R
S5	23U	R	B11	23	R
S5	24U	L	B11	24	L
S1	15	R	B12	15	R
S1	23	R	B12	23	R
S1	24	L	B12	24	L
S3	15L	R	B13	15	R
S3	23L	R	B13	23	R
S3	24L	L	B13	24	L

Spot Beam Interconnectivity					
U/L Site	U/L Ch	U/L Pol	D/L Beam	D/L Ch	D/L Pol
S2	17L	R	C1	17	R
S2	18L	L	C1	18	L
S3	17L	R	C2	17	R
S3	18L	L	C2	18	L
S4	17L	R	C3	17	R
S4	18L	L	C3	18	L
S5	17L	R	C4	17	R
S5	18L	L	C4	18	L
S6	17L	R	C5	17	R
S6	18L	L	C5	18	L
S2	17U	R	C6	17	R
S2	18U	L	C6	18	L
S3	17U	R	C7	17	R
S3	18U	L	C7	18	L
S4	17U	R	C8	17	R
S4	18U	L	C8	18	L
S5	17U	R	C9	17	R
S5	18U	L	C9	18	L
S6	17U	R	C10	17	R
S6	18U	L	C10	18	L
S1	17	R	C11	17	R
S1	18	L	C11	18	L
S2	21L	R	D1	21	R
S2	22L	L	D1	22	L
S3	21L	R	D2	21	R
S3	22L	L	D2	22	L
S4	21L	R	D3	21	R
S4	22L	L	D3	22	L
S5	21L	R	D4	21	R
S5	22L	L	D4	22	L
S6	21L	R	D5	21	R
S6	22L	L	D5	22	L
S2	21U	R	D6	21	R
S2	22U	L	D6	22	L
S3	21U	R	D7	21	R
S3	22U	L	D7	22	L
S4	21U	R	D8	21	R
S4	22U	L	D8	22	L
S1	21	R	D9	21	R
S1	22	L	D9	22	L
S1	21	R	D10	21	R
S1	22	L	D10	22	L
S5	21U	R	D11	21	R
S5	22U	L	D11	22	L
S6	21U	R	D12	21	R
S6	22U	L	D12	22	L
S6	21U	R	D13	21	R
S6	22U	L	D13	22	L