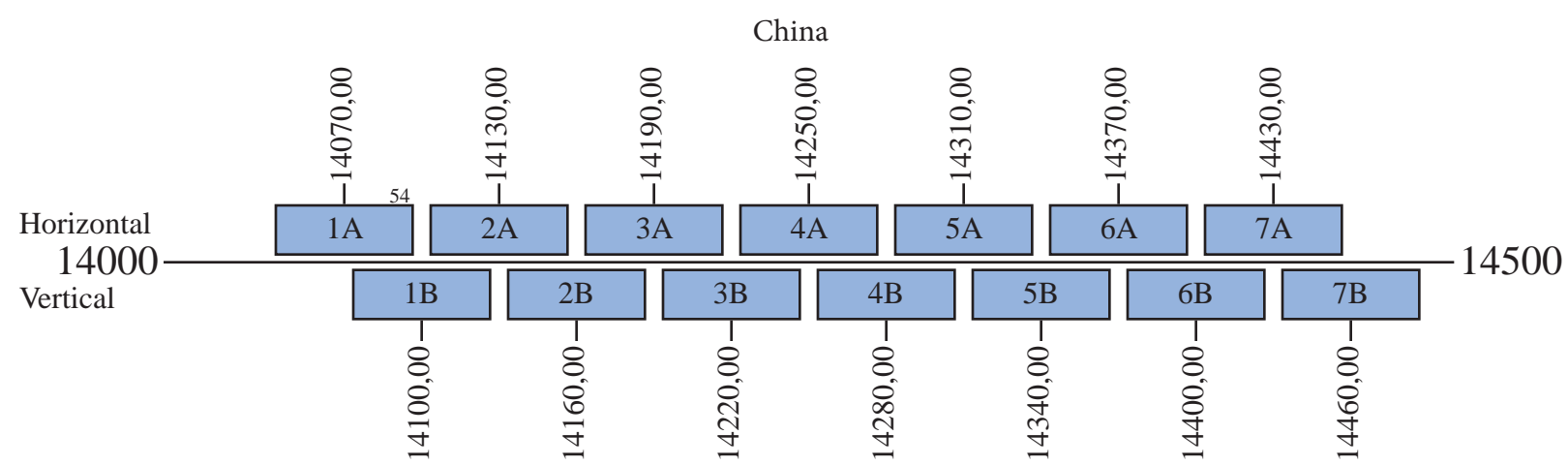
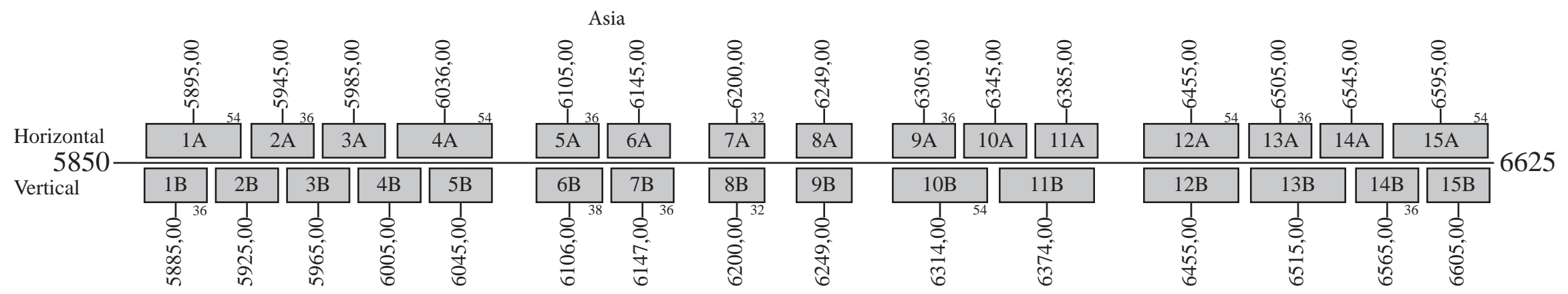


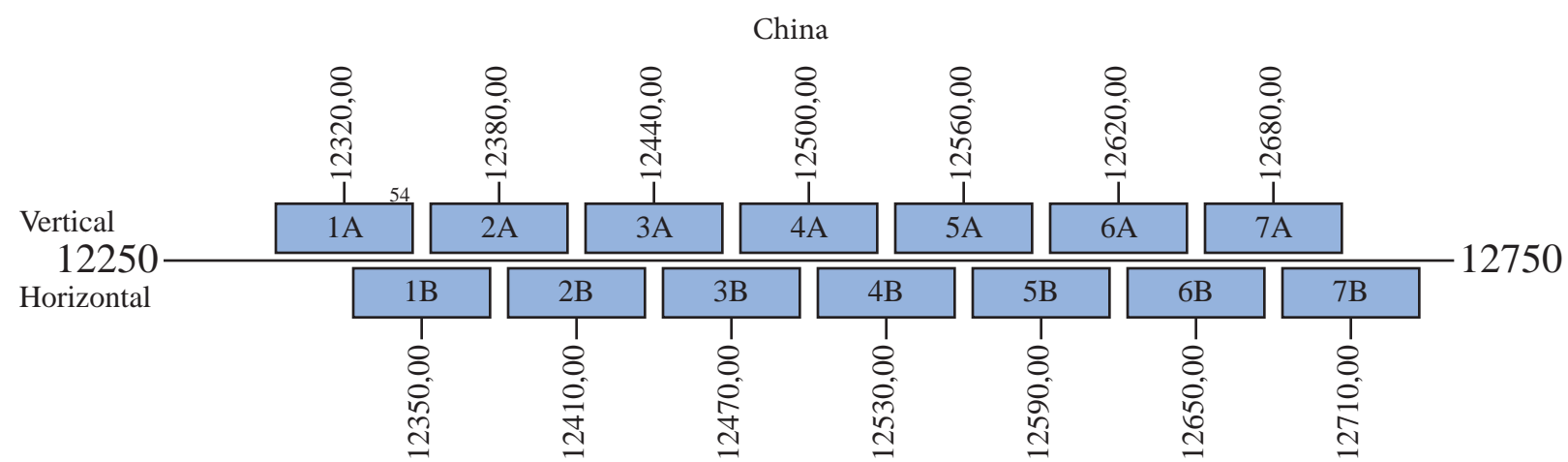
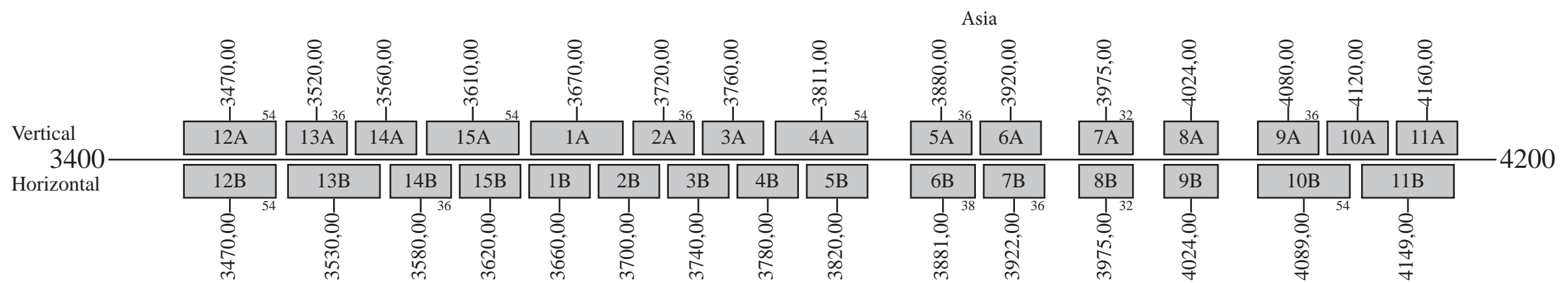
ChinaSat 10

Provisional Frequency Plan

Uplink



Downlink



Telemetry 1: 4188,00 V
 Telemetry 2: 4191,00 H
 Beacon 1: 12741,00 V
 Beacon 2: 12745,00 H