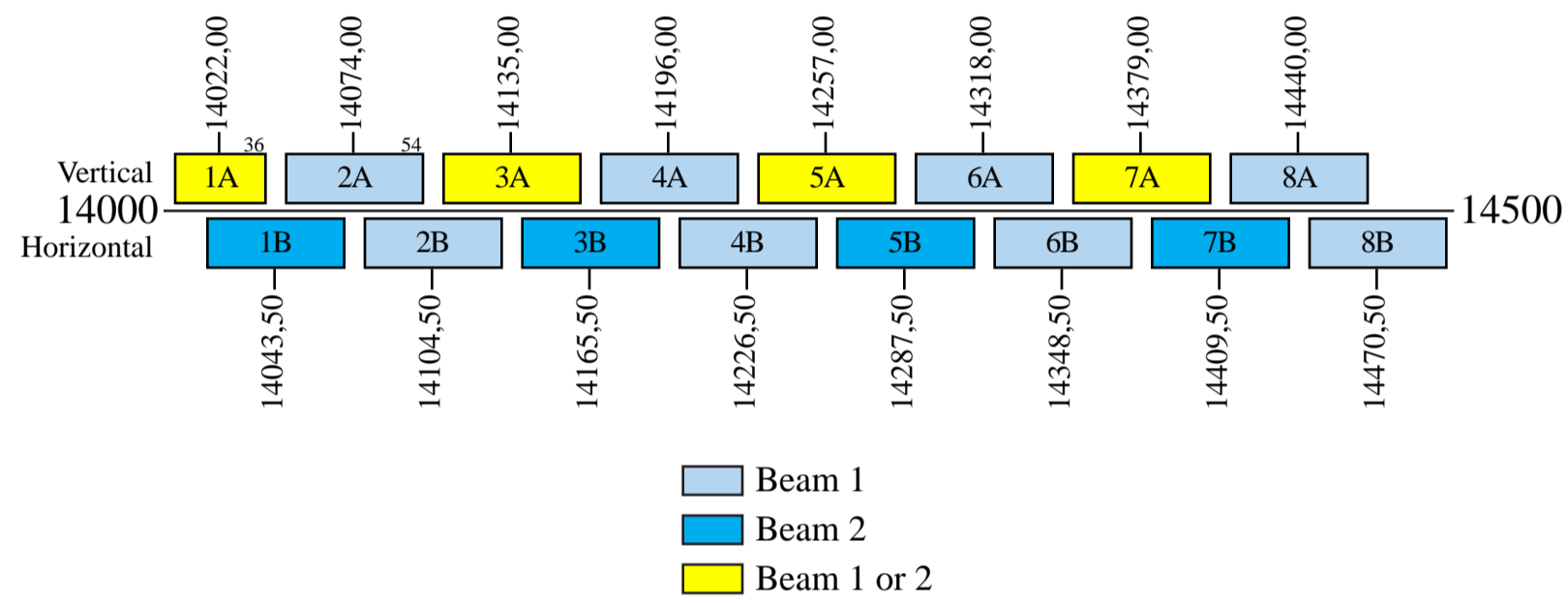
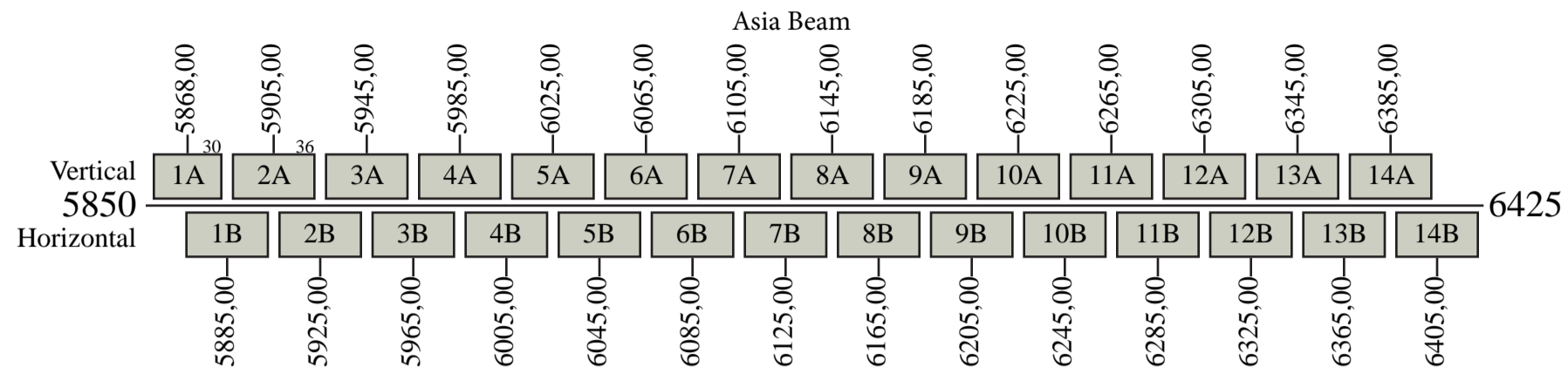


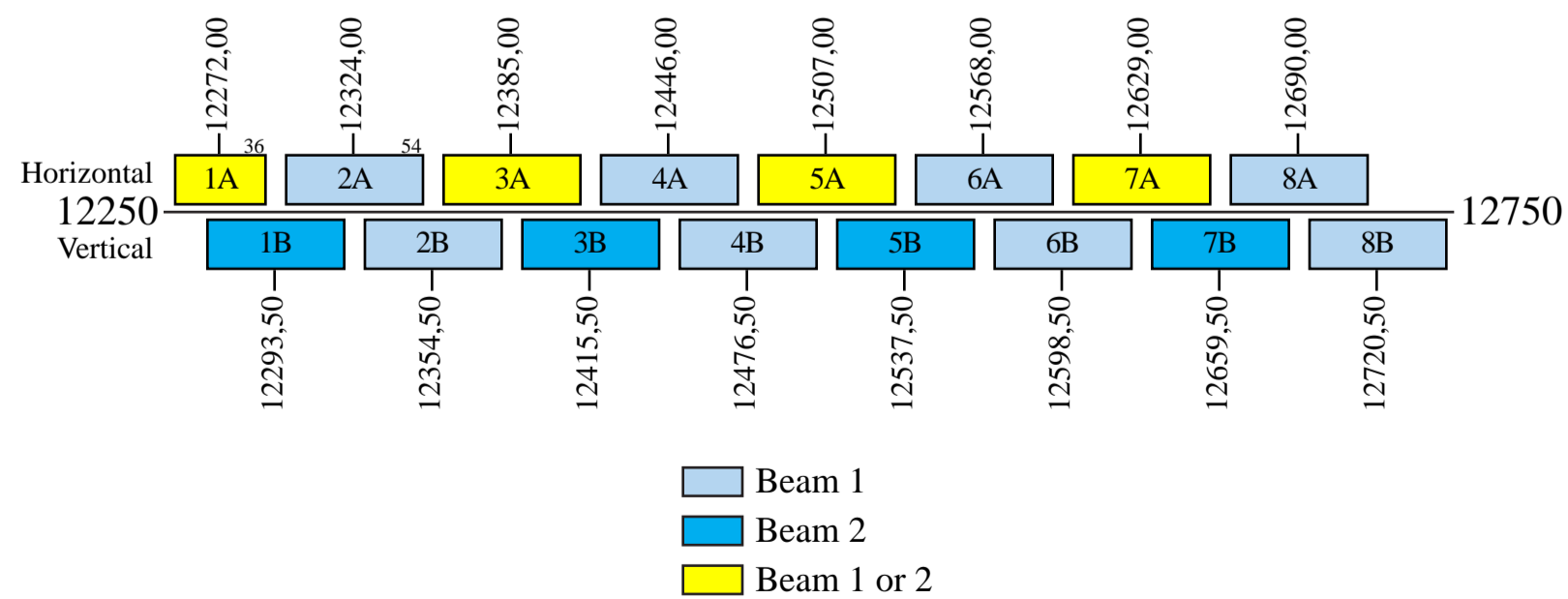
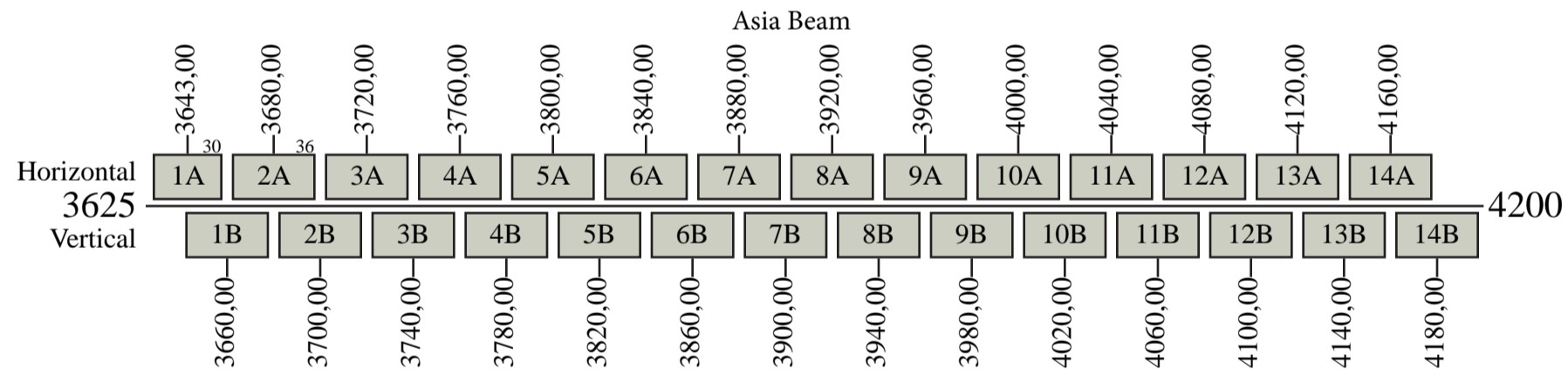
Apstar 2R

Frequency Plan

Uplink



Downlink



Command 1: 5850,50 H
 Command 2: 6424,50 V
 Telemetry 1: 3627,00 V
 Telemetry 2: 4199,625 H
 Beacon 1: 12251,00 V
 Beacon 2: 12749,00 H